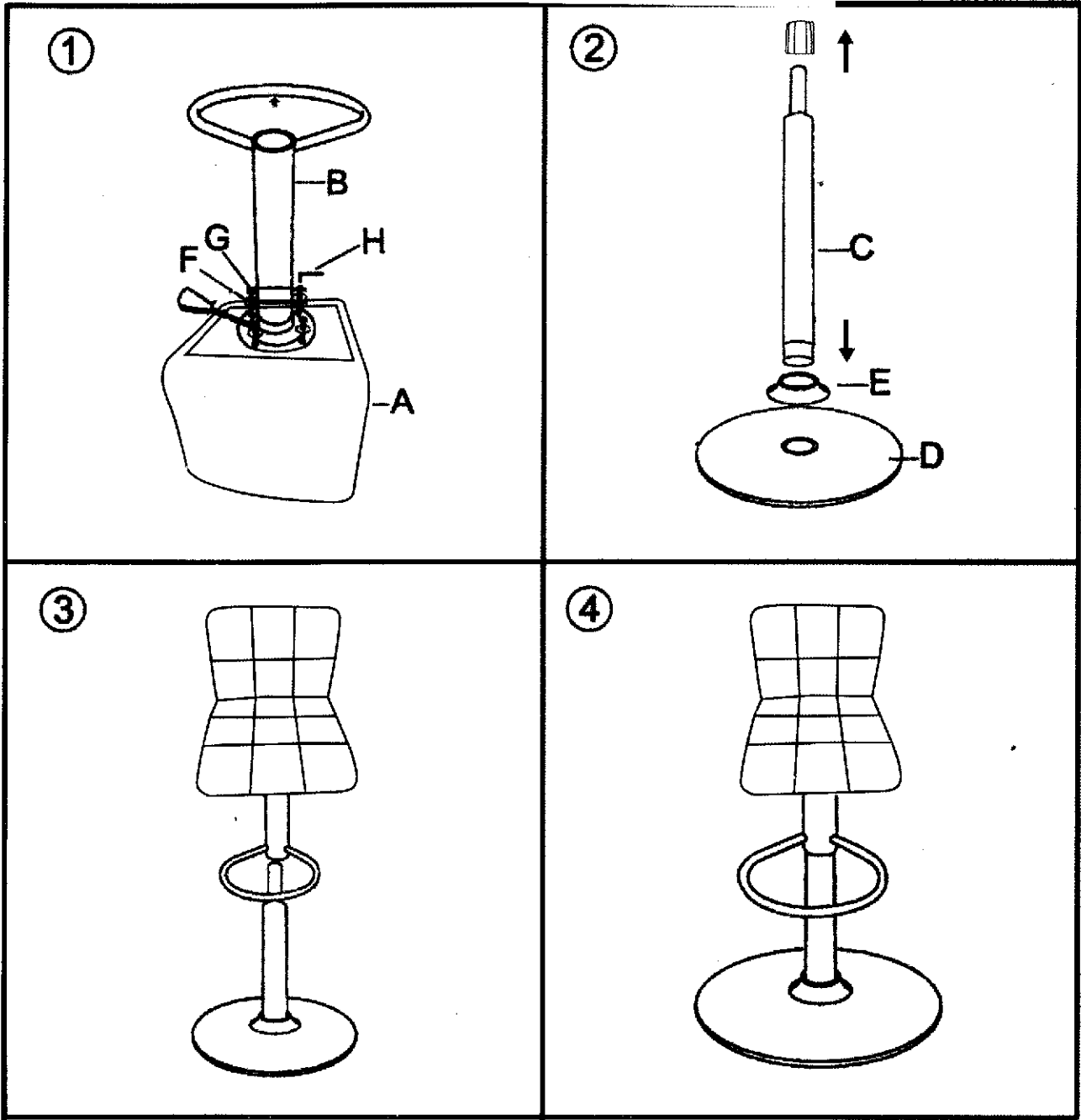


ITEM# 4040



A	X1	B	X1	C	X1
D	X1	E	X1	F	X4
G	X4	H	X1		