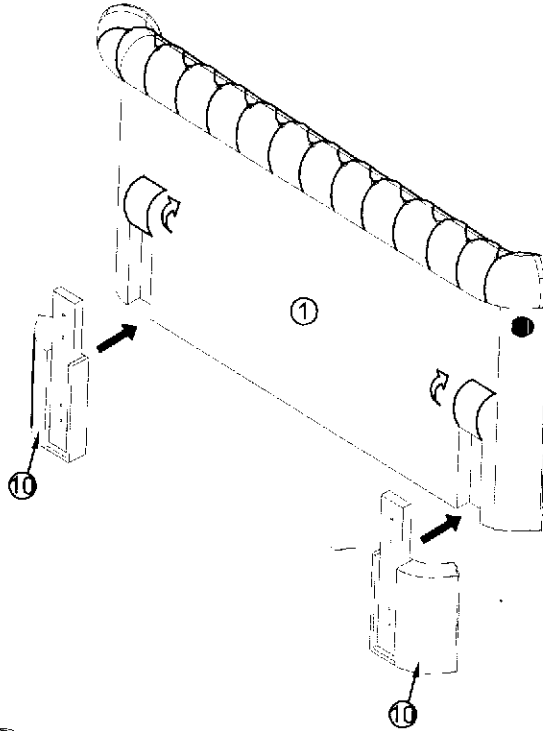


# ASSEMBLY INSTRUCTIONS

DESCRIPTION: QUEEN BED/ KING BED

Thank you for purchasing this quality product. Be sure to check all packing material carefully for small parts that may have come loose inside the carton during shipment.

## STEP 1



## STEP 2

