

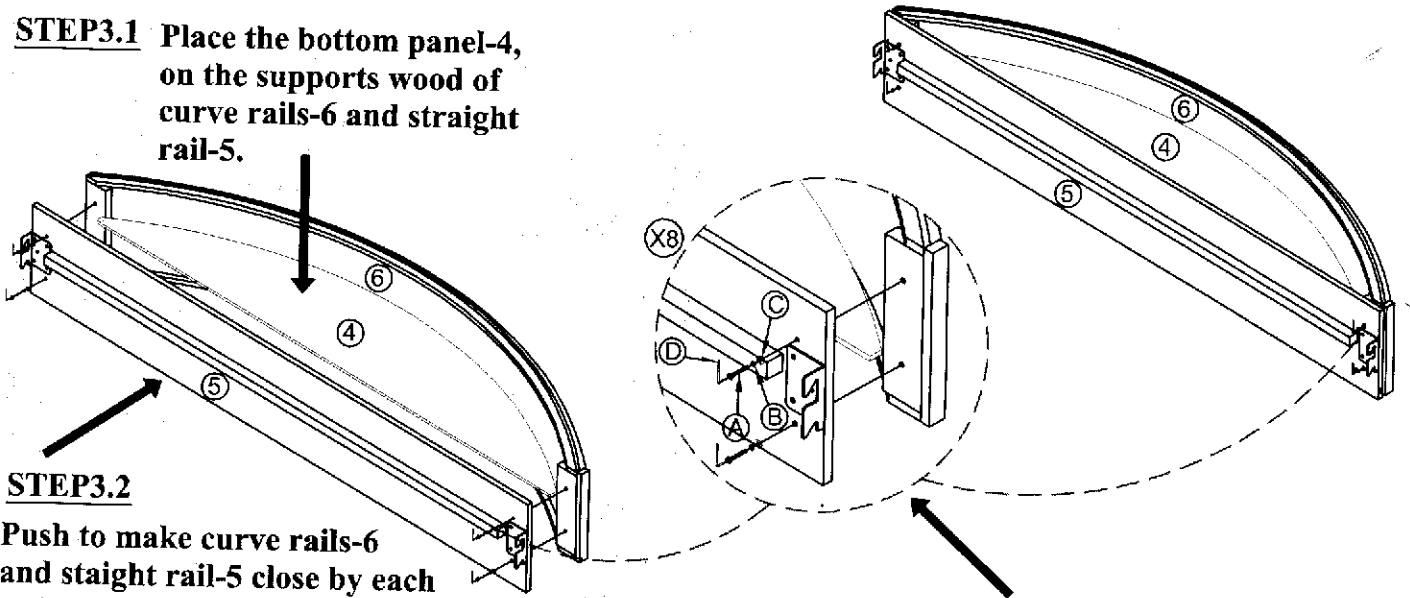
ASSEMBLY INSTRUCTIONS

DESCRIPTION: QUEEN BED/ KING BED

Thank you for purchasing this quality product. Be sure to check all packing material carefully for small parts that may have come loose inside the carton during shipment.

STEP 3

STEP 3.1 Place the bottom panel-4, on the supports wood of curve rails-6 and straight rail-5.



STEP 3.2

Push to make curve rails-6 and straight rail-5 close by each end sides and align the hole before using bolt to tighten.

STEP 4 Use 4pcs bolts to tightly the whole side cases.

STEP 5

