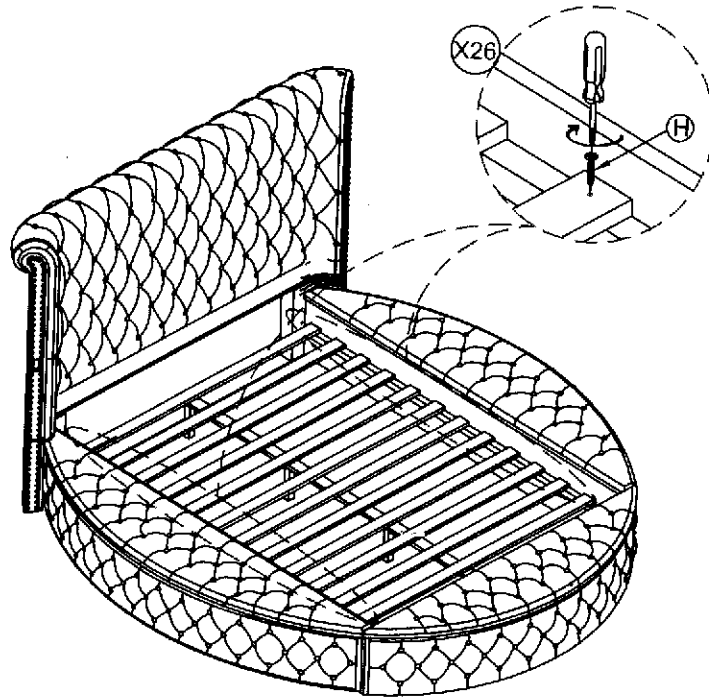


ASSEMBLY INSTRUCTIONS

DESCRIPTION: QUEEN BED/ KING BED

Thank you for purchasing this quality product. Be sure to check all packing material carefully for small parts that may have come loose inside the carton during shipment.

STEP 8



ASSEMBLY COMPLETE

