



TITANIC FURNITURE

ASSEMBLY INSTRUCTIONS

ITEM NUMBER: B120/B121 BED

DESCRIPTION: QUEEN BED

Thank you for purchasing this quality product.

Please read instructions carefully prior to assembly.

Check carefully for small parts which may have come loose during transportation inside all the boxes. Remove from boxes and place all parts and components on soft surface such as carpet, blanket or furniture pad. Identify and verify all parts and hardware as specified below.

PART LIST:

NO.	DESCRIPTION	OUTLOOK	QT.
A	Headboard		1 pc
B	Footboard		1 pc
C	Side Rail Cover		2 pcs
D1	Center Panel		2 pcs
D2	Center Panel		1 pc
E	Metal Center Rail		1 pc
F	Metal Center Support Leg		2 pcs
G	Bed Slat		12 pcs
H	Base Board		2 pcs
I1	Side Rail		2 pcs
I2	Side Rail		2 pcs

HARDWARE LIST:

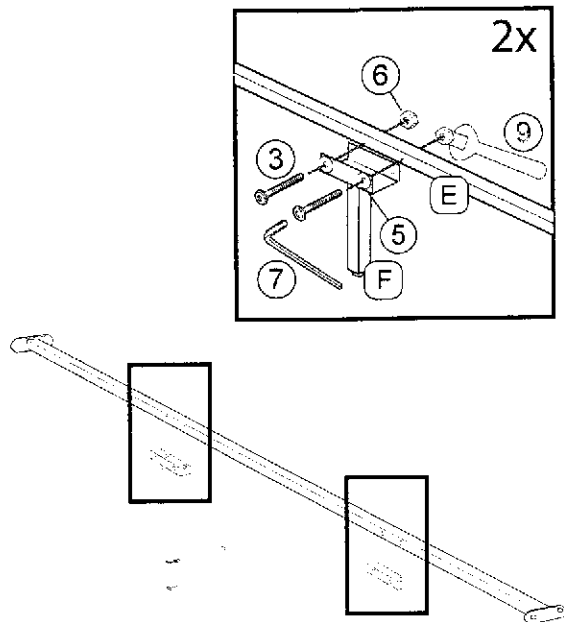
NO.	DESCRIPTION	OUTLOOK	QT.
1	CSK M4 x 32mm		24 pcs
2	JCBB M8 x 20mm		32 pcs
3	JCBC M6 x 40mm		4 pcs
4	JCBC M6 x 20mm		32 pcs
5	Flat Washer M6		32 pcs
6	Hex Nut M6		4 pcs
7	Allen Key M4		1 pc
8	Allen Key M5		1 pc
9	Wrench M6		1 pc
10	Spring Metal		1 pc
11	L-Bracket		6 pcs

Assembly Tips:

Please read this instruction carefully. Remove all wrapping material, staples and straps from the carton. See hardware and furniture part list for guidance. Be sure you have all wooden furniture parts on a clean and flat soft surface, such as a carpet or rug, to prevent from being scratched.

- Do not FULLY - TIGHTEN the nut or screw until all is ready to assemble.
- Do not OVER - TIGHTEN the nut or screw to avoid causing damages to the thread.
- This assembly may require additional help (2 person set up)

STEP 1



STEP 2

