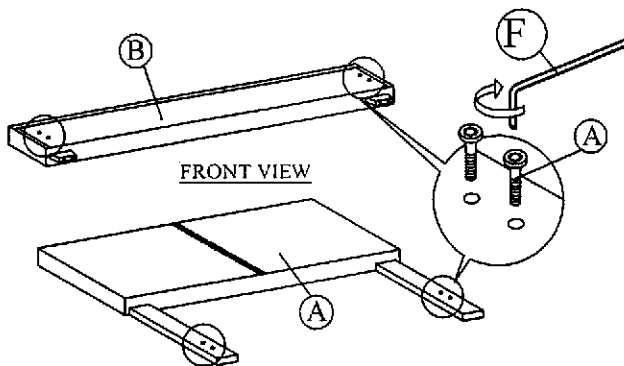


TITANIC FURNITURE

ASSEMBLY INSTRUCTIONS

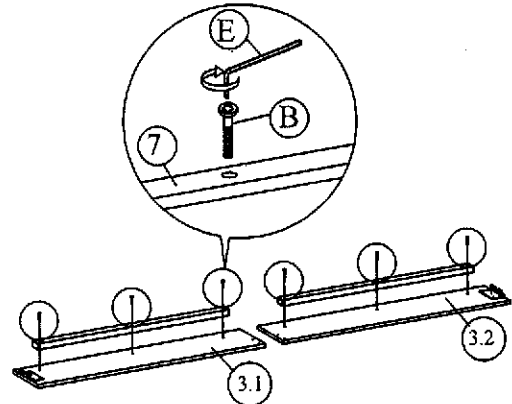
ITEM NUMBER : B184K / B185K /B186K
DESCRIPTION : Upholstered Bed

STEP 3



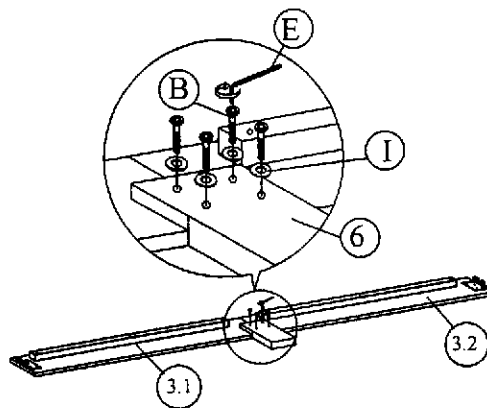
Attach the JCBB Bolt to the headboard and footboard .

STEP 4



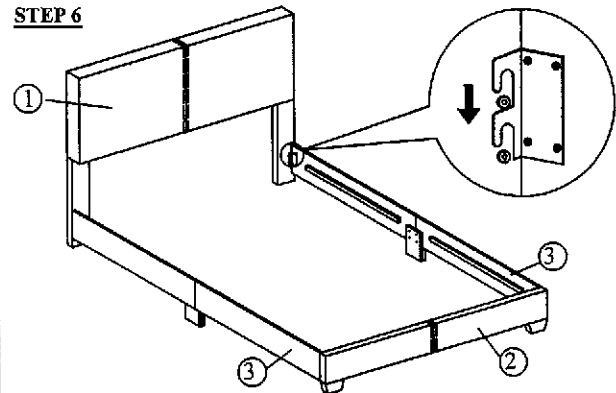
Attach the side rail support wood to the side rail .

STEP 5



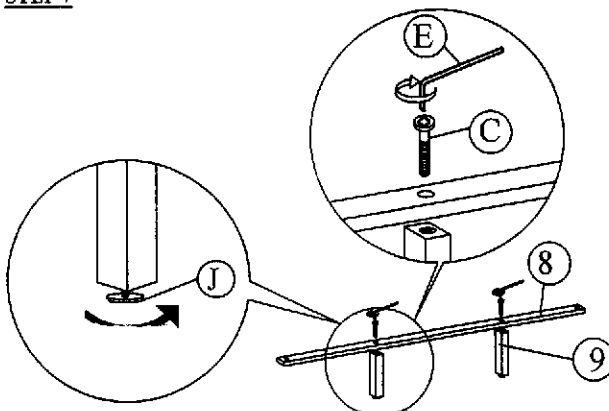
Attach the side rail leg to the side rail .

STEP 6



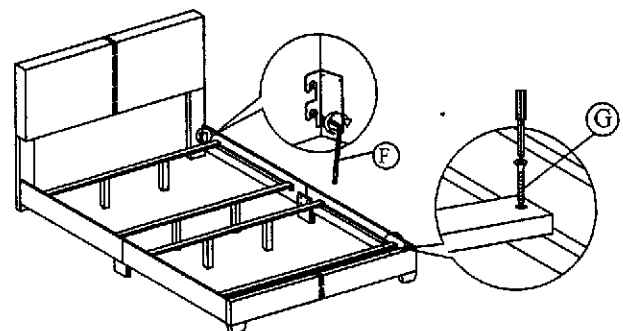
Attach side rail to headboard and footboard by pushing the bracket down to fit it.

STEP 7



Attach the support legs to the slats.

STEP 8



Tighten the 4 Corner with Allen Key . Install the bed slats to side rail. Tighten the slats with CSK screw. The distance of the slats should be sufficient to obtain desirable bed stability.