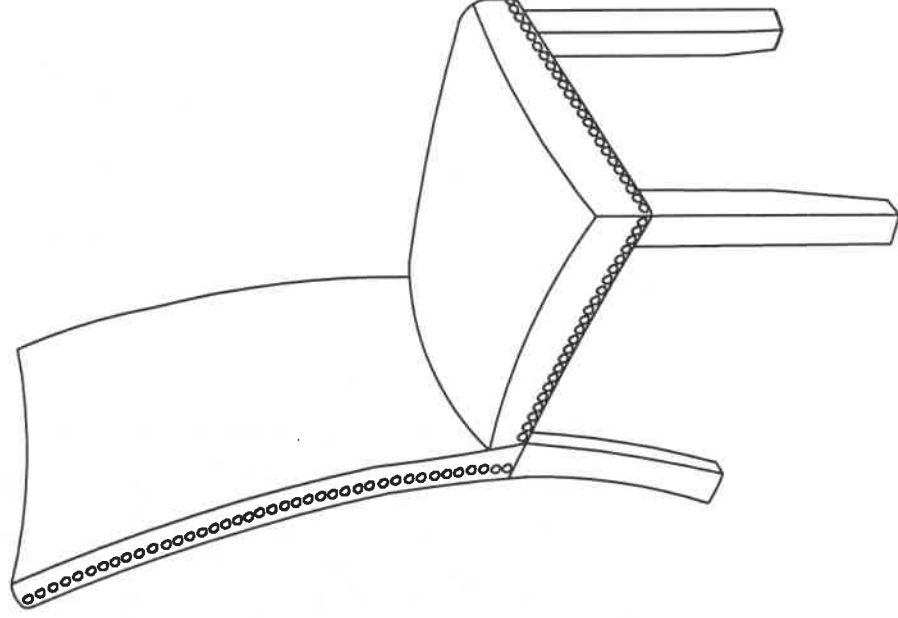


D563C/1563#
DINING CHAIR
ASSEMBLY INSTRUCTIONS






ASSEMBLY TIPS:

- 1.Remove hardware from box and sort by size.
- 2.Please check to see that all hardware and parts are present prior to start of assembly.
- 3.Please follow attached instructions in the same sequence as numbered to assure fast & easy assembly .







**Warning !**

1. Don't attempt to repair or modify parts that are broken or defective. Please contact the store immediately .
2. This product is for home use only and not intended for commercial establishment .

**Parts List**

	#1 x 1pc Chair Back
	#2 x 1pc Seat Cushion
	#3 x 2pcs Chair Legs

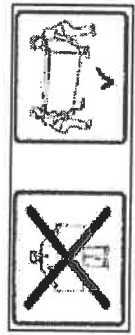
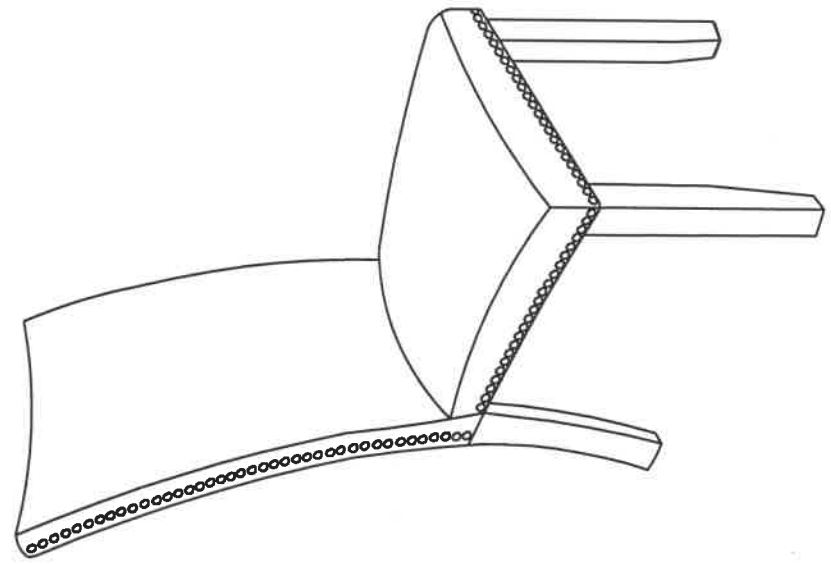
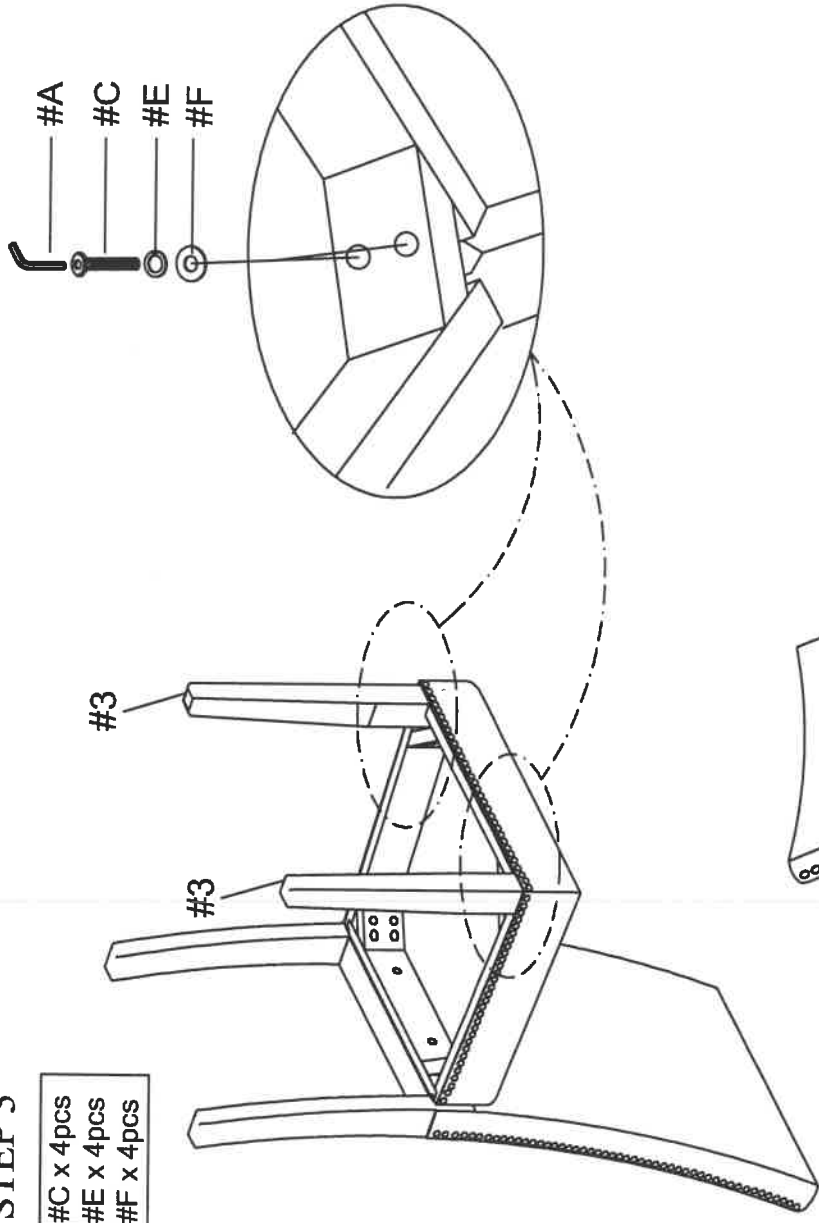
Hardware List

	#A x 1pc Allen Wrench M4
	#B x 4pcs Bolt Ø1/4" x 3-1/4"
	#C x 4pcs Bolt Ø1/4" x 2-1/4"
	#D x 3pcs Bolt Ø1/4" x 1-1/2"
	#E x 11pcs Lock Washer Ø1/4"
	#F x 11pcs Flat Washer Ø1/4"

NOTE: PHILLIPS HEAD SCREW DRIVER IS REQUIRED IN THE ASSEMBLY PROCESS ; HOWEVER , MANUFACTURER DOES NOT PROVIDE THIS ITEM .

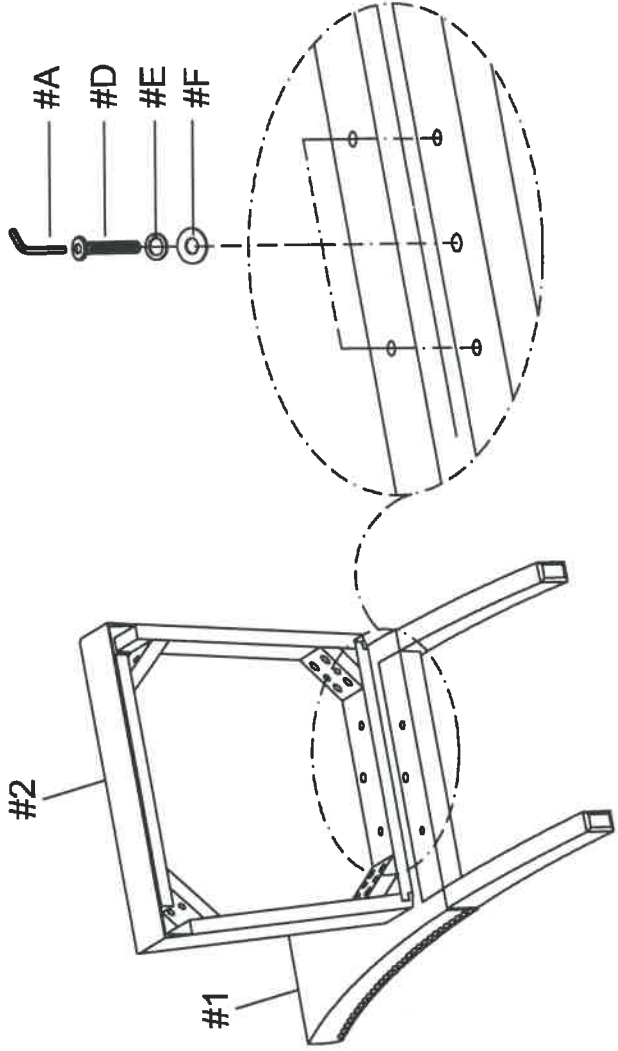
STEP 3

- #C x 4pcs
- #E x 4pcs
- #F x 4pcs



ASSEMBLY IS COMPLETED

STEP 1



STEP 2

