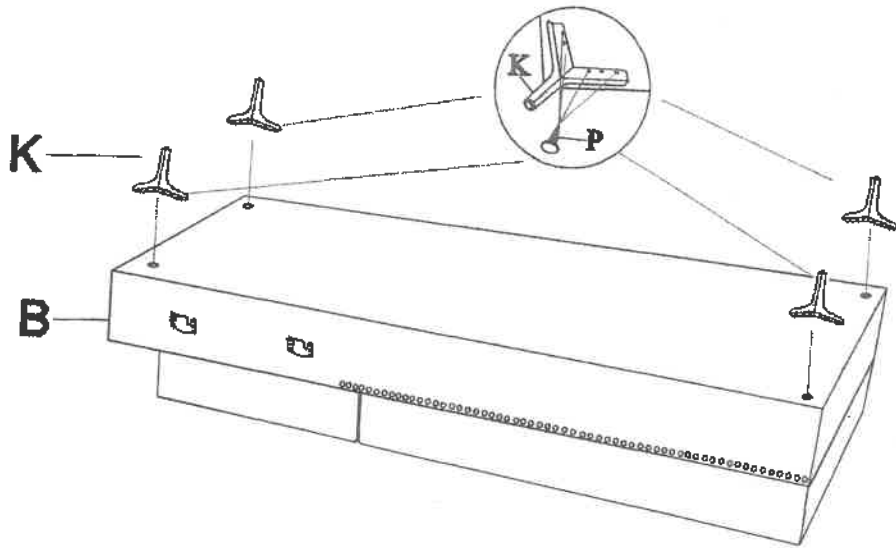


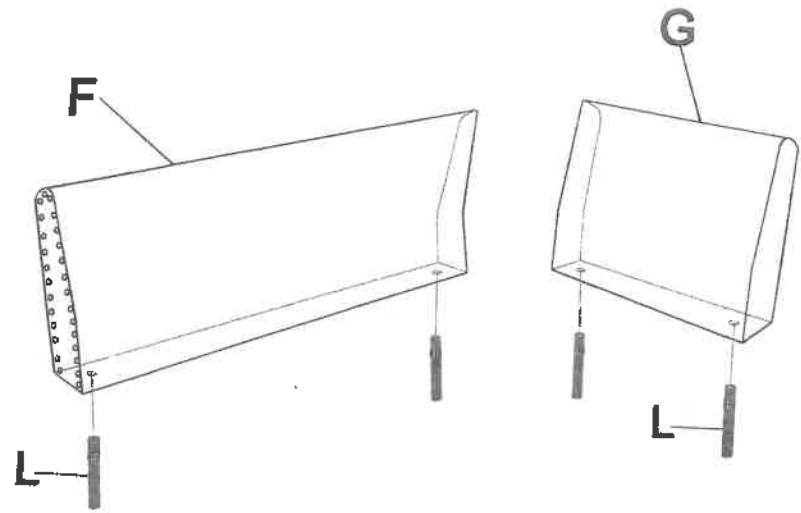
Assembly Instruction

Step5:

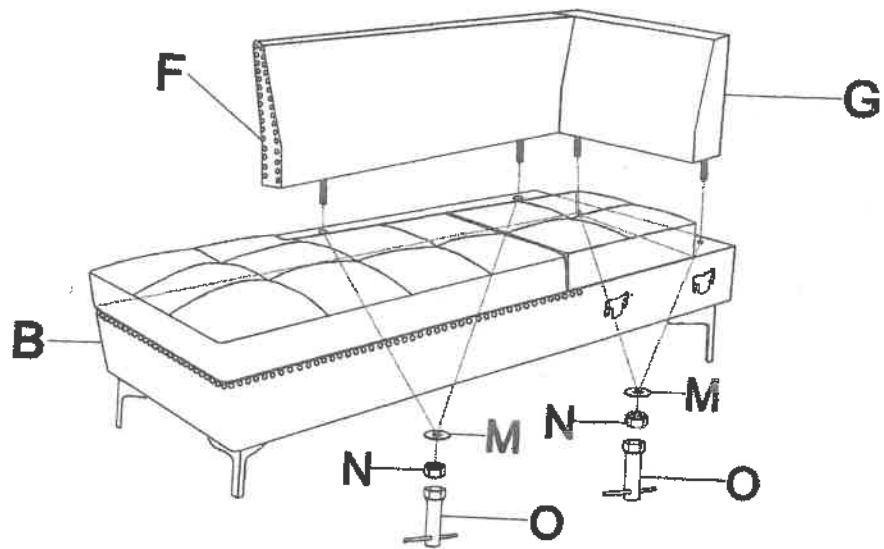


Step6:

P3



Step7:



Step8:

