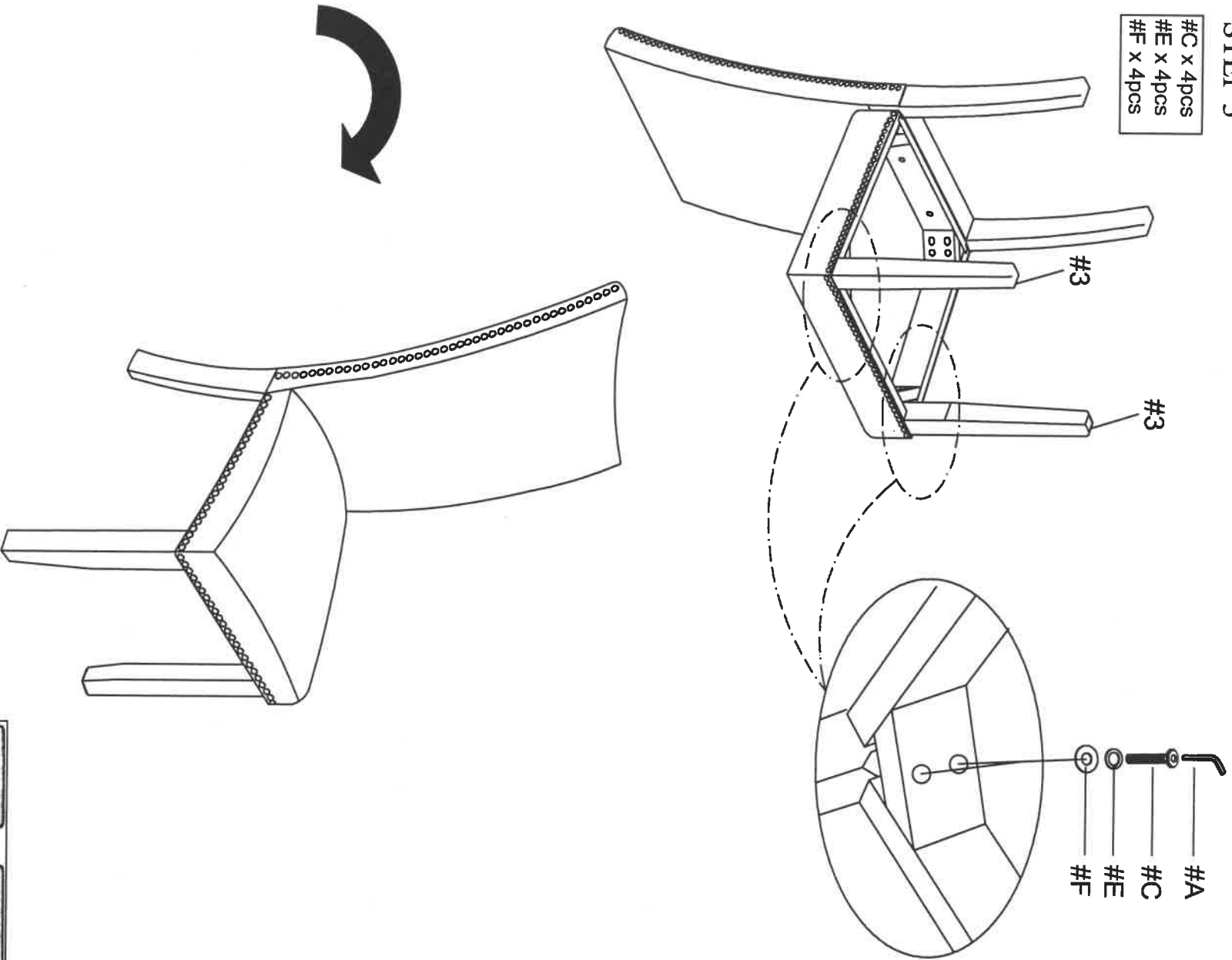


STEP 3

- #C x 4pcs
- #E x 4pcs
- #F x 4pcs



ASSEMBLY IS COMPLETED

