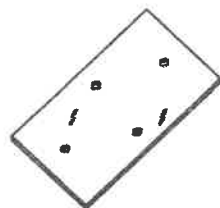




A x2pcs



B x2pcs



C x1pc



D x1pc



E x8pcs
M8x16



F x4pcs
Ø8xØ18x1.0



G x4pcs
M8



H x4pcs
M8x20



I x1pc
5#



J x1pc
M8

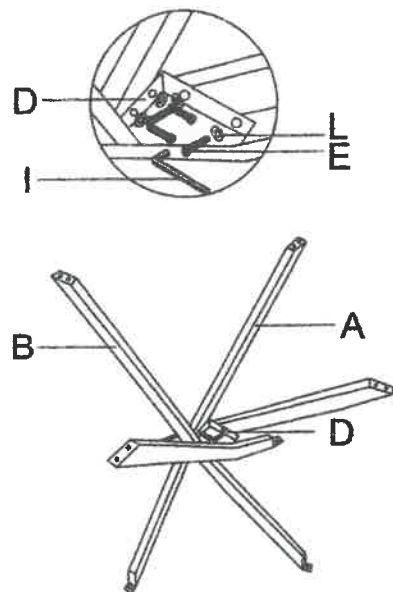


Kx8pcs
M6

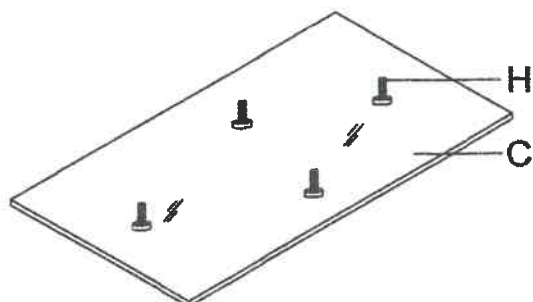


L x8pcs
Ø8xØ16x1.0

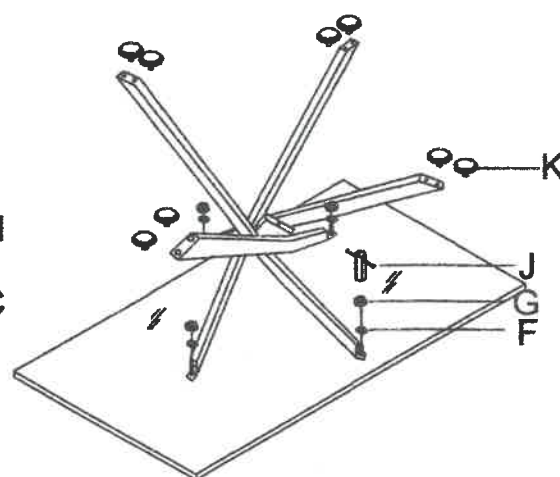
step1.



step2.



step3.



step4.

