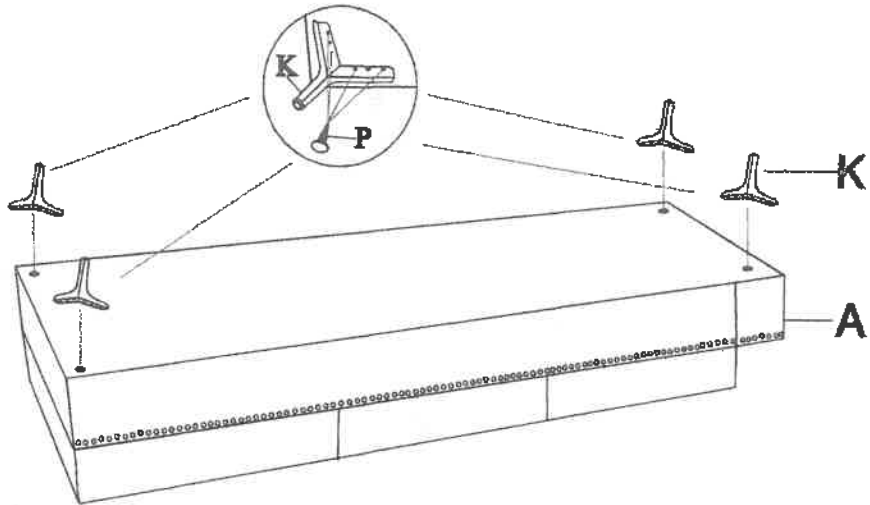


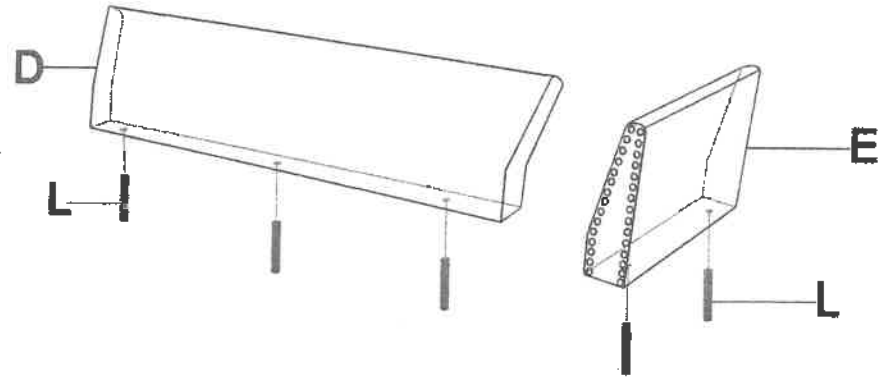
Assembly Instruction

P2

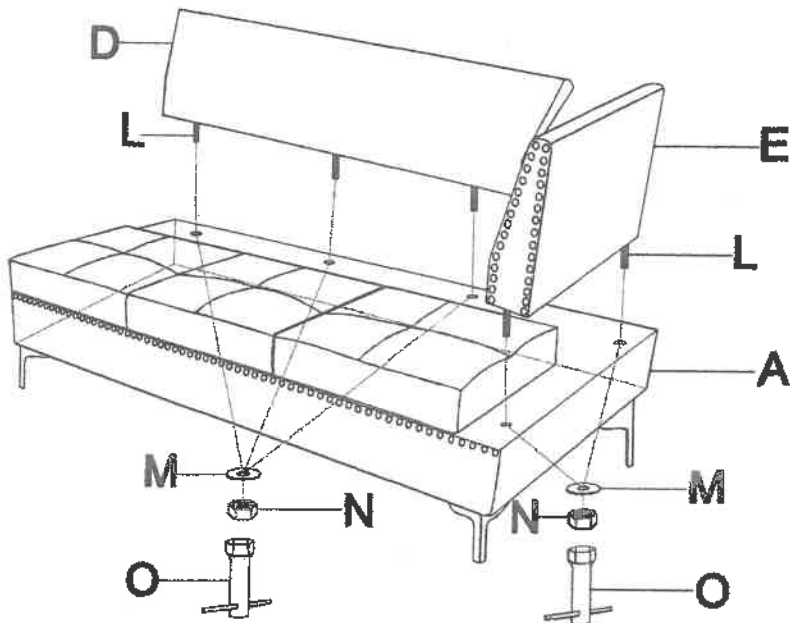
Step1:



Step2:



Step3:



Step4:

