

ASSEMBLY TIPS:

1. Remove hardware from box and sort by size.
2. Please check to see that all hardware and parts are present prior to start of assembly.
3. Please follow attached instructions in the same sequence as numbered to assure fast & easy assembly.



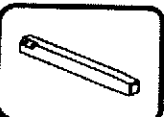


Warning !

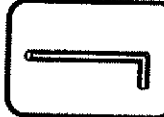
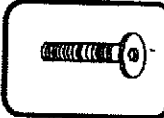




1. Don't attempt to repair or modify parts that are broken or defective. Please contact the store immediately.
2. This product is for home use only and not intended for commercial establishment.

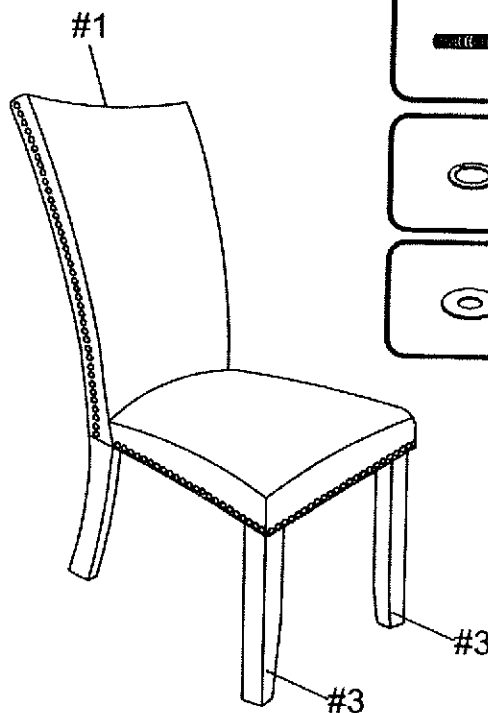


Parts List

-  #1 x 1pc
Chair Back
-  #2 x 1pc
Seat Cushion
-  #3 x 2pcs
Chair Legs

Hardware List

-  #A x 1pc
Allen Wrench M4
-  #B x 4pcs
Bolt Ø1/4" x 3-1/4"
-  #C x 4pcs
Bolt Ø1/4" x 2-1/4"
-  #D x 3pcs
Bolt Ø1/4" x 1-1/2"
-  #E x 11pcs
Lock Washer Ø1/4"
-  #F x 11pcs
Flat Washer Ø1/4"



NOTE: PHILLIPS HEAD SCREW DRIVER IS REQUIRED IN THE ASSEMBLY PROCESS; HOWEVER, MANUFACTURER DOES NOT PROVIDE THIS ITEM.