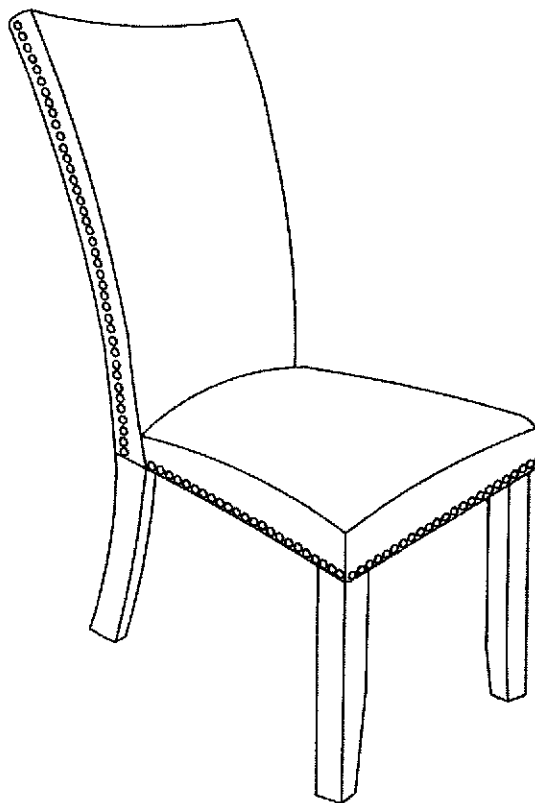
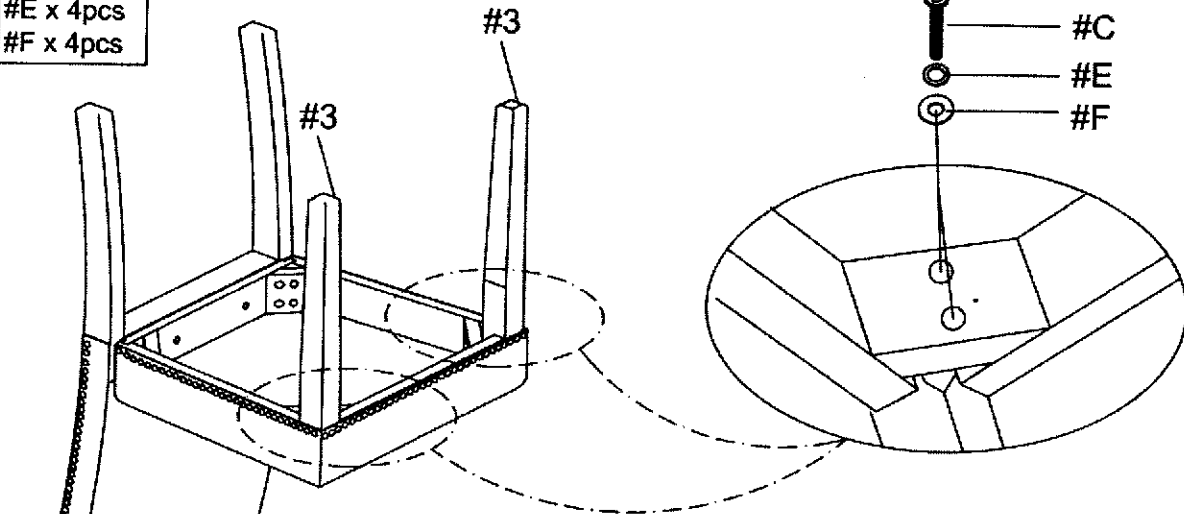


STEP 3

#C x 4pcs
#E x 4pcs
#F x 4pcs



ASSEMBLY IS COMPLETED

