

# B134

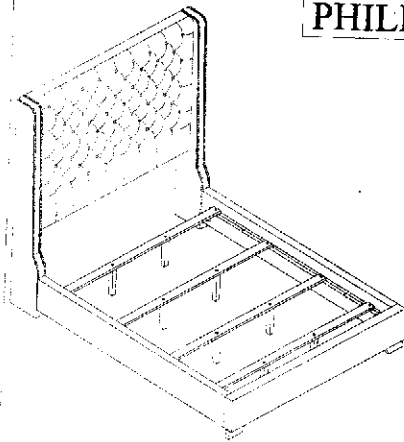
## ASSEMBLY INSTRUCTIONS

### DESCRIPTION: KING BED

Thank you for purchasing this quality product.  
 Please read instructions carefully prior to assembly  
 Check carefully for small parts which may have come loose during transportation inside all the boxes.  
 Remove from boxes and place all parts and components on soft surface such as carpet, blanket or furniture pad. Identify and verify all parts and hardware as specified below.

#### TOOLS REQUIRED (NOT PROVIDED)

#### PHILLIPS SCREWDRIVER



#### PART LISTS

NO.	DESCRIPTION	SKETCH	QTY
1.	HEADBOARD PANEL		1PC
2.	HEADBOARD LEG(L&R)		2PCS
3.	FOOTBOARD PANEL		1PC
4.	FOOTBOARD LEGS		2PCS
5.	SIDE RAILS		2PCS
6.	SLATS		4PCS
7.	CENTER SUPPORT OF SLATS		8PCS

#### HARDWARE LISTS

NO.	DESCRIPTION	SKETCH	SIZE	QTY
A.	BOLT		5/16" * 50MM	6PCS
B.	SPRING WASHER		5/16"	8PCS
C.	FLAT WASHER		5/16" x 19MM	8PCS
D.	ALLEN KEY		4MM	1PC
F.	BOLT		5/16" * 80MM	2PCS
G.	SCREW		D8 * 35MM	8PCS
H.	BOLT		1/4" * 35MM	8PCS
I.	SPRING WASHER		1/4"	8PCS
J.	FLAT WASHER		1/4"	8PCS
K.	THREAD BOLT		5/16" * 90	8PCS
L.	HEX NUT		5/16" * 23	8PCS
M.	WRENCH		12MM	1PC

#### Assembly Tips :

- \* Do not tighten screws and bolts until final steps of the assembly
- \* This assembly may require additional help (2 person set up)

#### PART LISTS

#### LISTA DE PARTES

