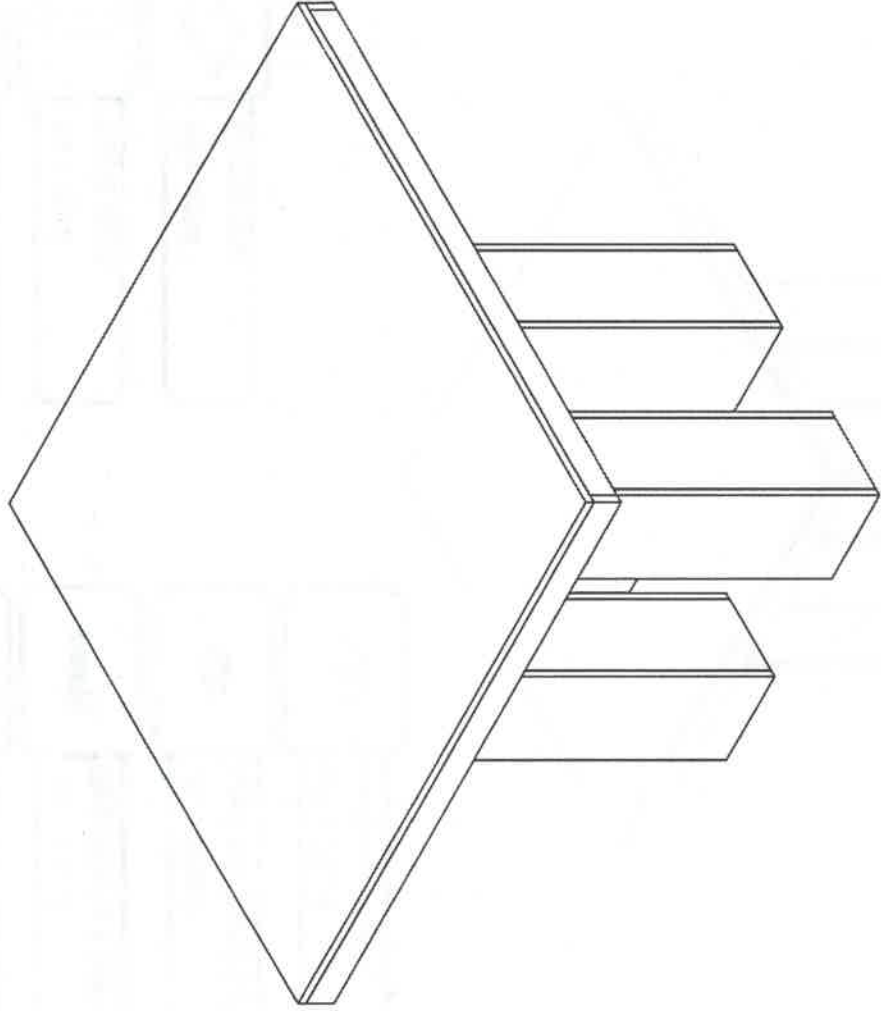




2163 2563

FAUX MARBLE COUNTER HEIGHT TABLE

ASSEMBLY INSTRUCTIONS



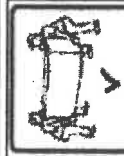
ASSEMBLY TIPS:

- 1.Remove hardware from box and sort by size.
- 2.Please check to see that all hardware and parts are present prior to start of assembly.
- 3.Please follow attached instructions in the same sequence as numbered to assure fast & easy assembly .


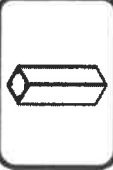
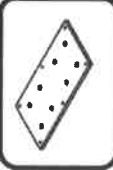


Warning !





1. Don't attempt to repair or modify parts that are broken or defective. Please contact the store immediately .
2. This product is for home use only and not intended for commercial establishment .

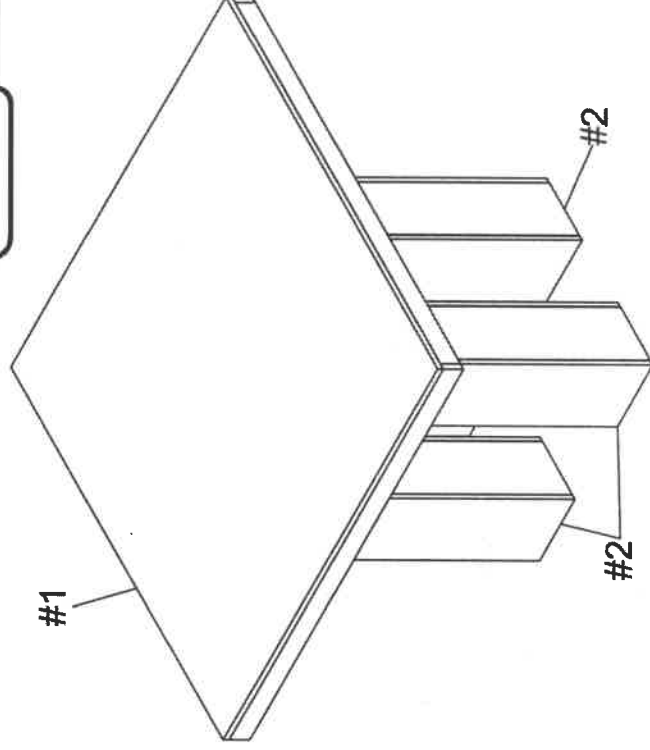


Parts List

	#1 x 1pc Table Top
	#2 x 4pcs Table Base
	#3 x 2pcs Connection

Hardware List

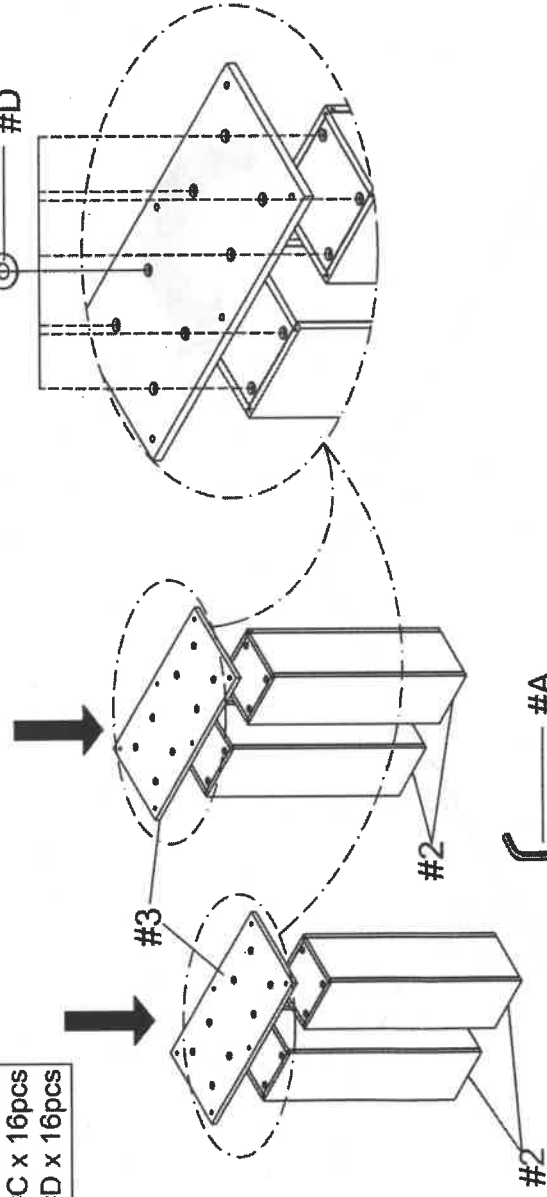
	#A x 1pc Allen Wrench M4
	#B x 28pcs Bolt Ø1/4" x 1-3/8"
	#C x 28pcs Lock Washer Ø1/4"
	#D x 28pcs Flat Washer Ø1/4"



NOTE : PHILLIPS HEAD SCREW DRIVER IS REQUIRED IN THE ASSEMBLY PROCESS ; HOWEVER , MANUFACTURER DOES NOT PROVIDE THIS ITEM .

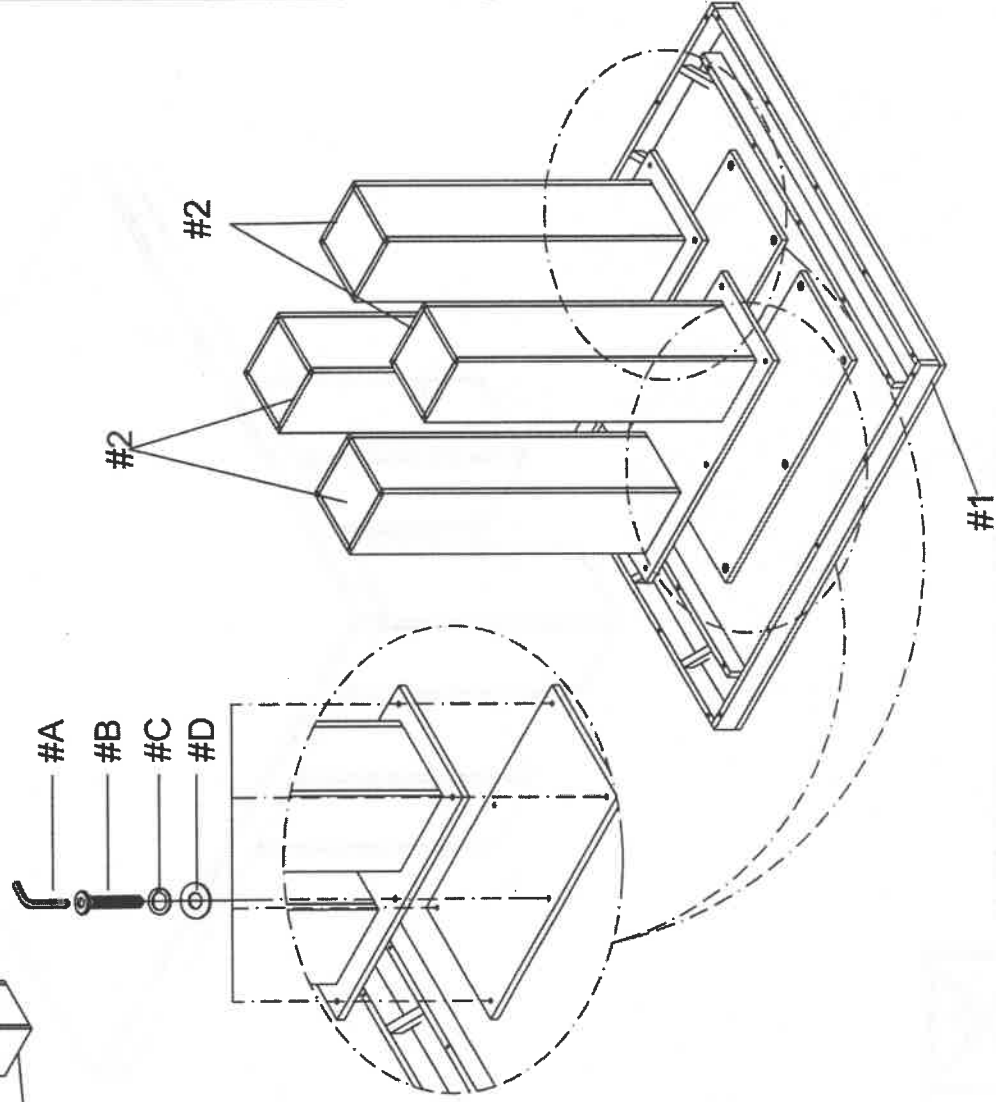
STEP 1

- #B x 16pcs
- #C x 16pcs
- #D x 16pcs

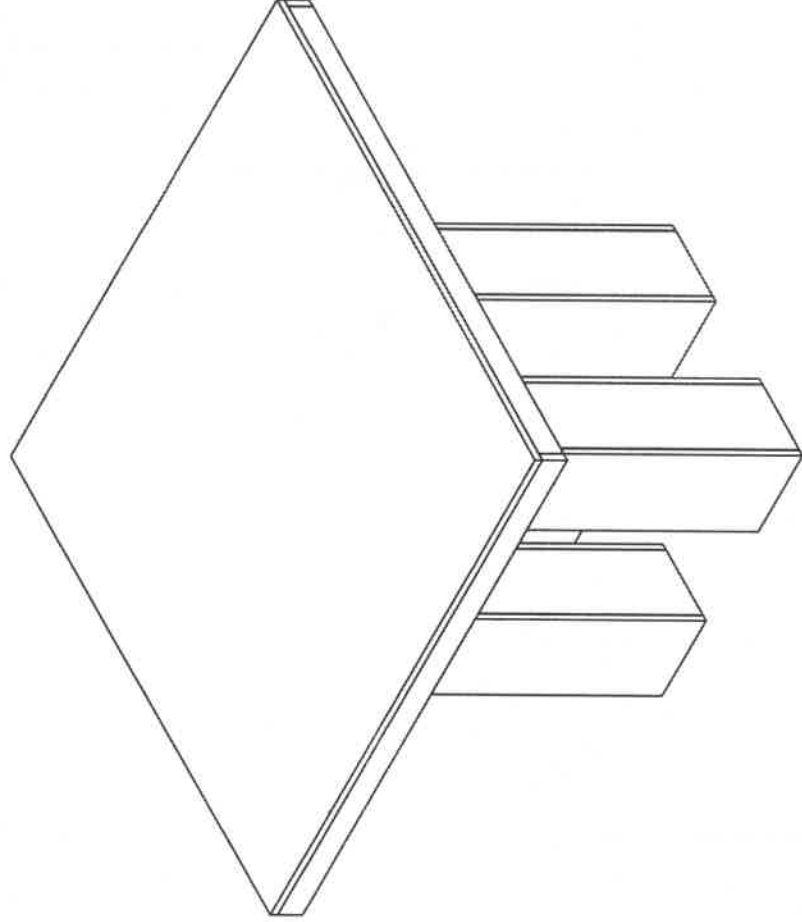


STEP 2

- #B x 12pcs
- #C x 12pcs
- #D x 12pcs



STEP 3



ASSEMBLY IS COMPLETED