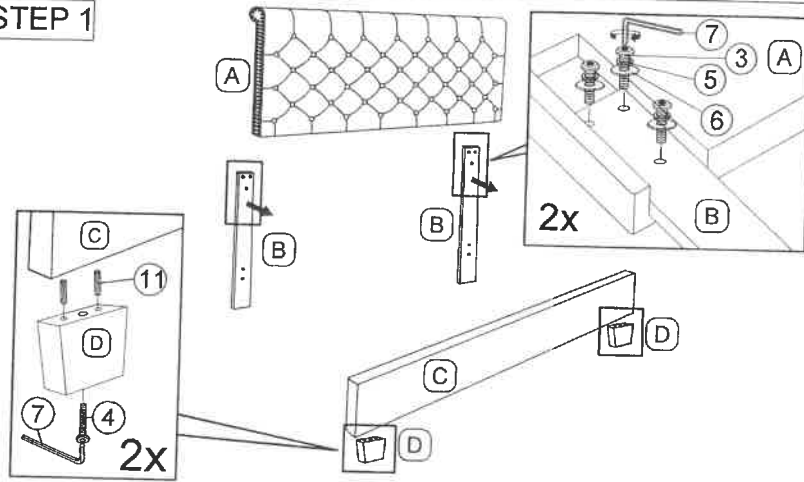


ITEM#9300

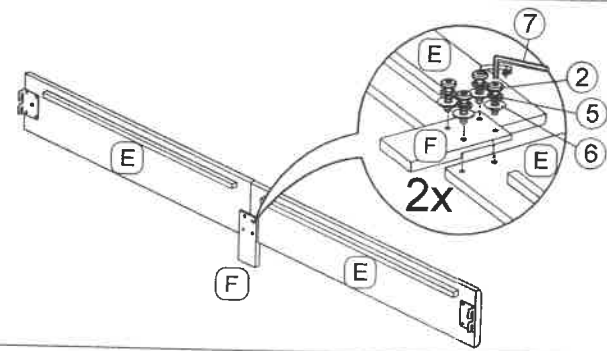
MODEL: 9300T/9300F/9300Q

ASSEMBLY INSTRUCTION

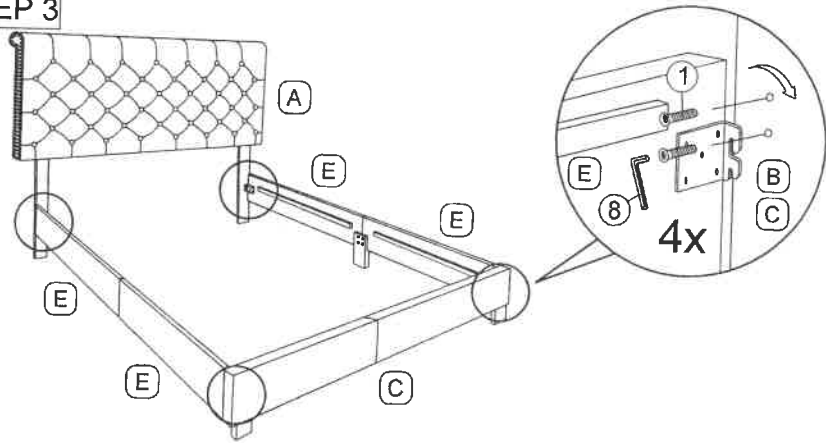
STEP 1



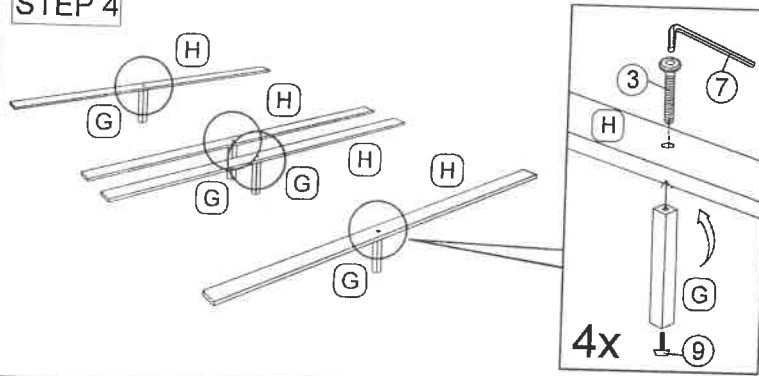
STEP 2



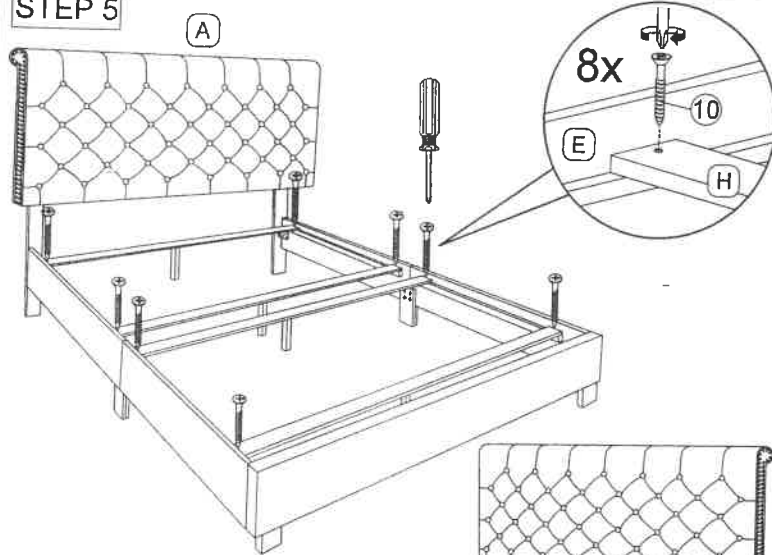
STEP 3



STEP 4



STEP 5



NO PART LIST

A	Headboard
B	Headboard Leg
C	Footboard
D	Footboard Leg
E	Side Rail
F	Siderail Support Leg
G	Center Support Leg
H	Bed Slat

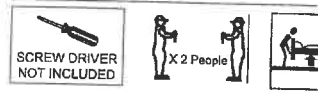
NO HARDWARE LIST

1	JCBB M8 x 25mm	8
2	JCBC M6 x 25mm	8
3	JCBC M6 x 40mm	10
4	JCBC M6 x 70mm	2
5	Spring Washer M6	14
6	Flat Washer M6	14
7	Allen Key M4	1
8	Allen Key M5	1
9	Adjuster M6	4
10	CSK M4 x 30mm	8
11	Dowel M6	4

Read this instruction carefully. Remove all waste material, staples and straps from the carton. See hardware and furniture part list for guidance. Be sure you have all wooden furniture parts on a flat and soft surface, such as a carpet or rug, to prevent from being scratched.

CAUTION :

1. Do not FULLY - TIGHTEN the nut or screw until it is ready to assemble.
2. Do not OVER - TIGHTEN the nut or screw to a causing damages to the thread.
3. Keep all hardware part out reach of children.



COMPLETED ASSEMBLY