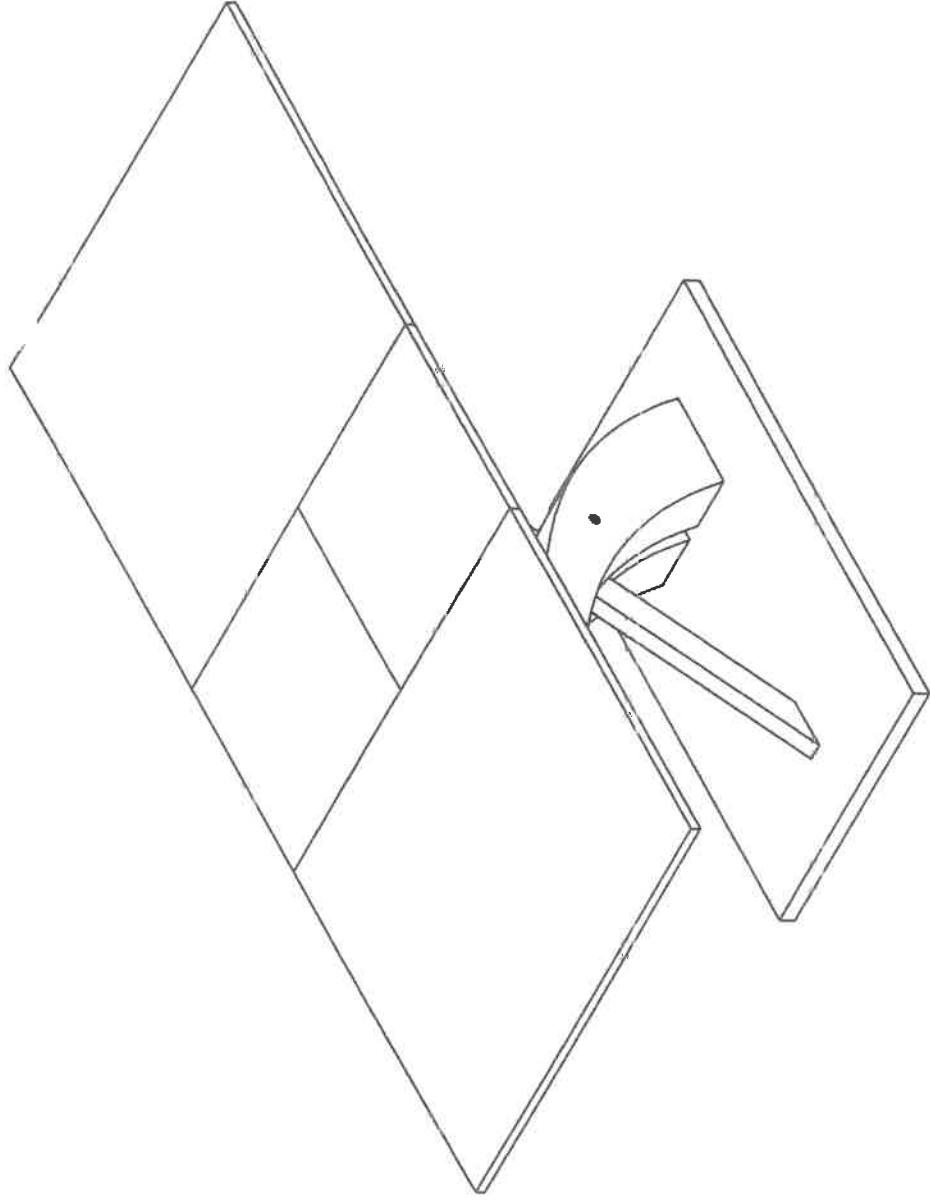
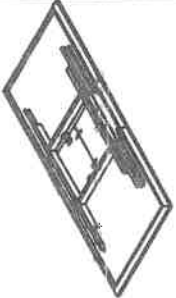

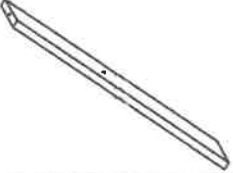



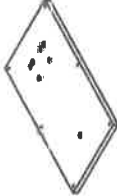















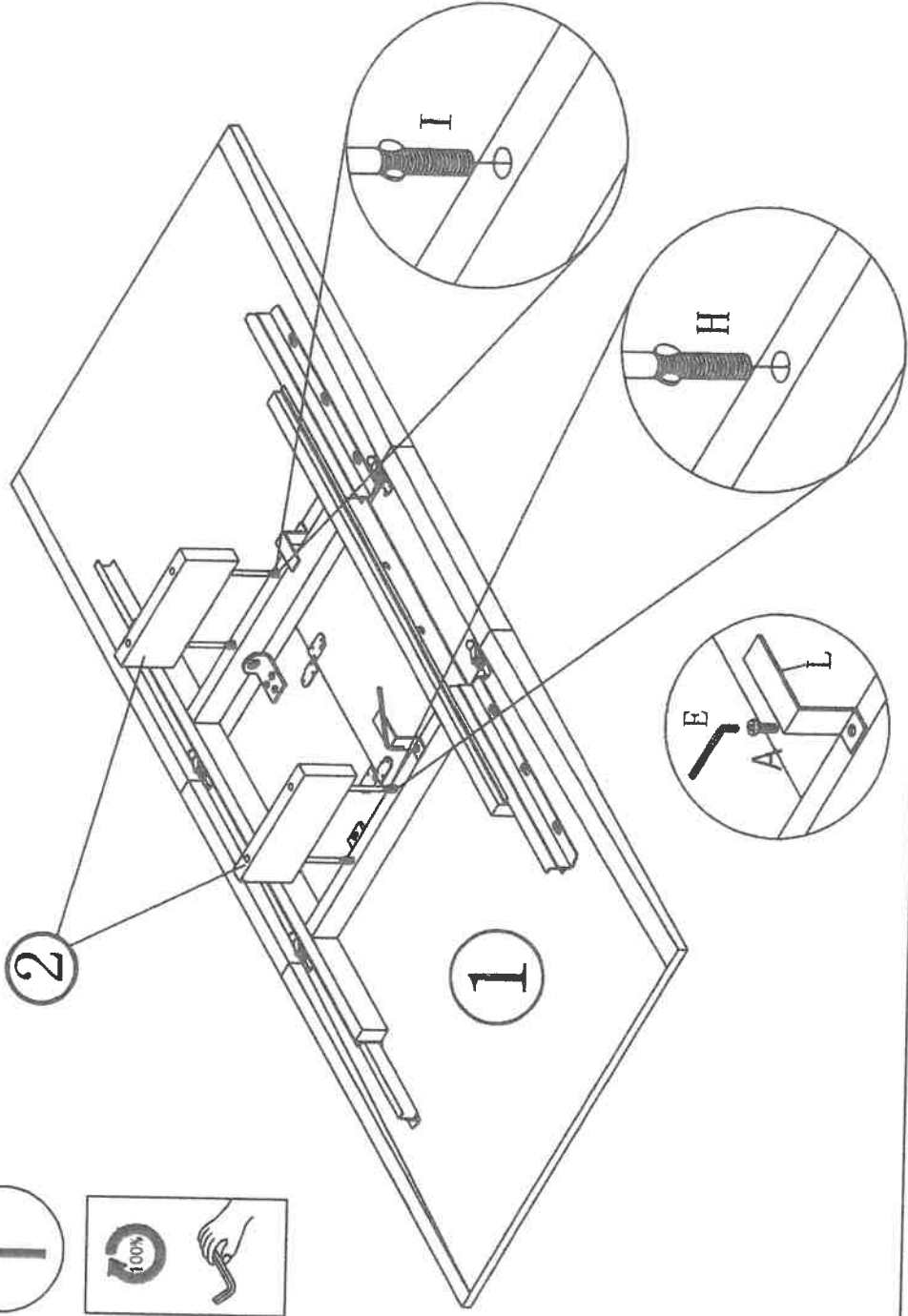
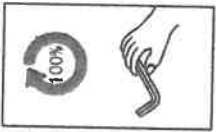


ASSEMBLY INSTRUCTION

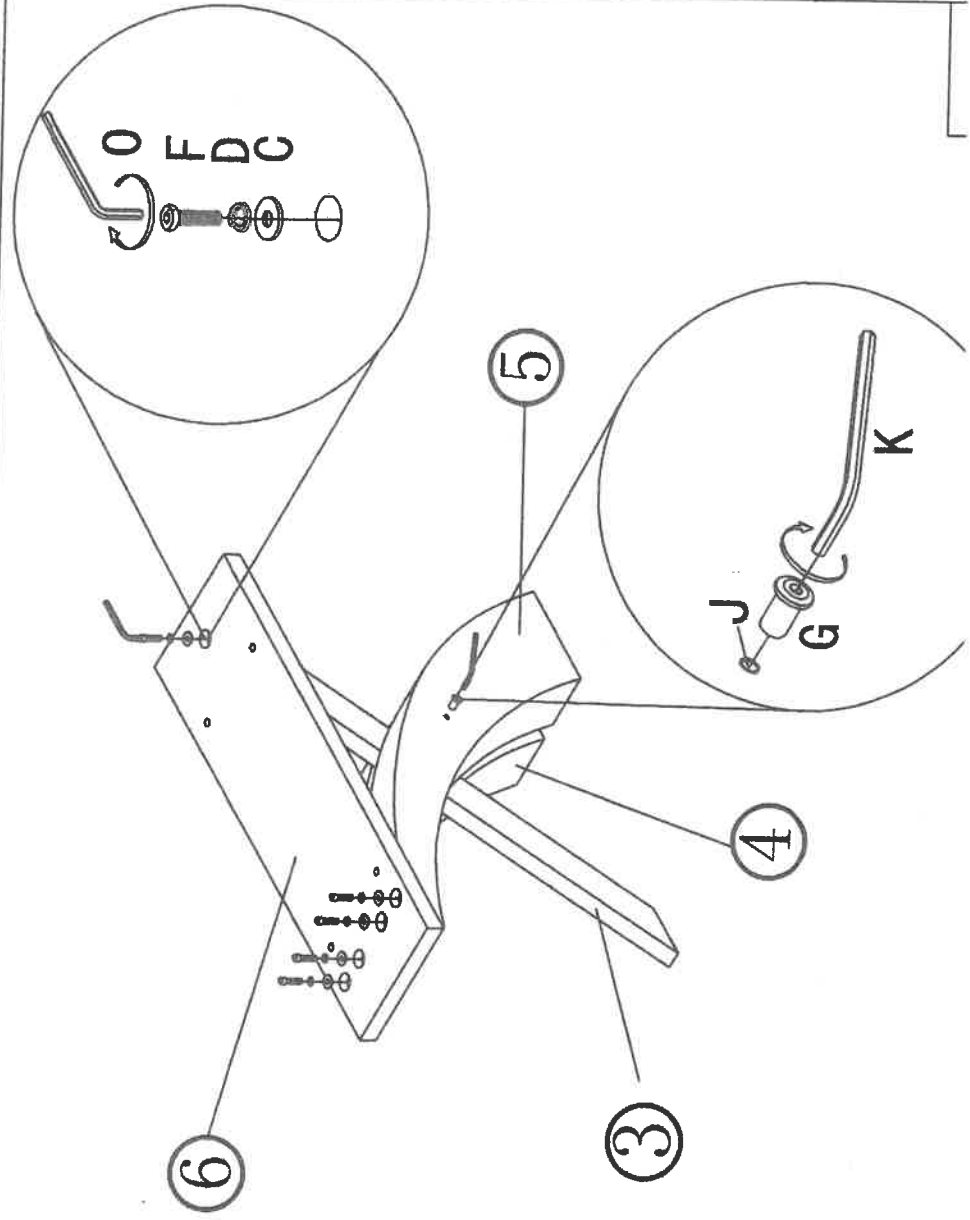


							① x1	② x2	③ x1	④ x1	⑤ x1	⑥ x1	⑦ x1		
A (M6x16) x2	B (M8) x4	Cx16	Dx16	E (M4) x1	F (M8x35) x12	G (M8) x2	H (M8*220) x2								
I (M8*150) x2	J (M8*215) x1	K (M5) x2	M (M6) x6	Lx2	N (M8) x1	O (M6) x1									

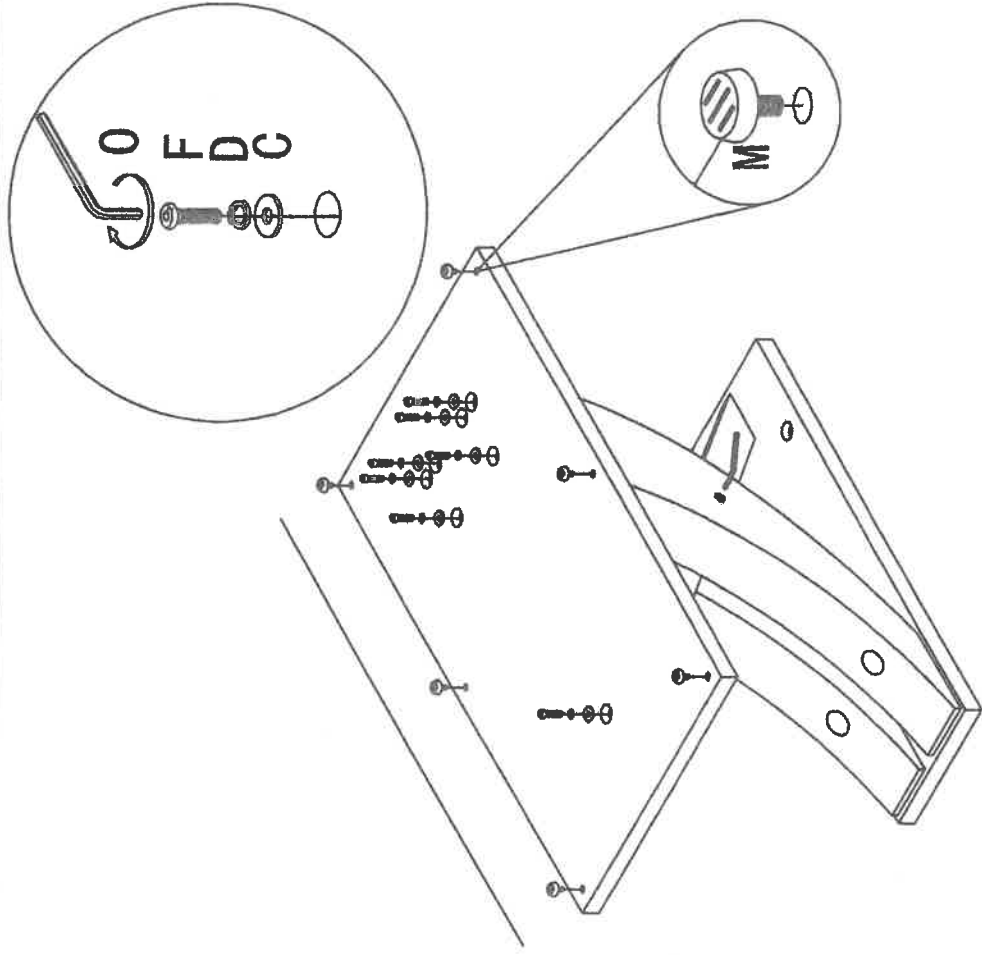
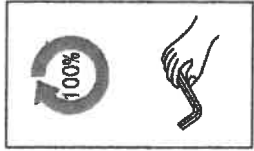
1



2



3



4

