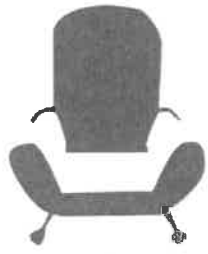
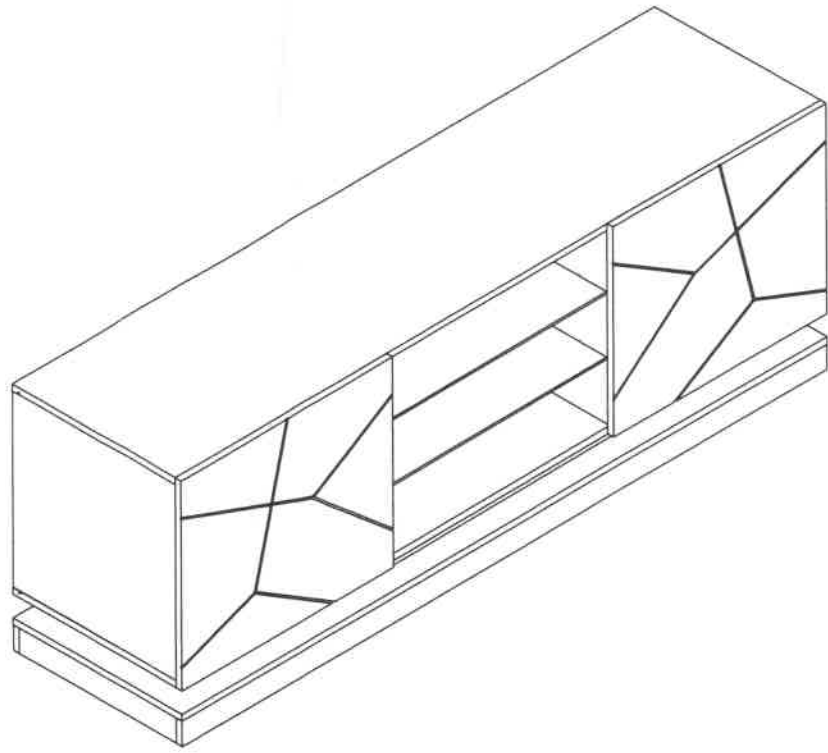


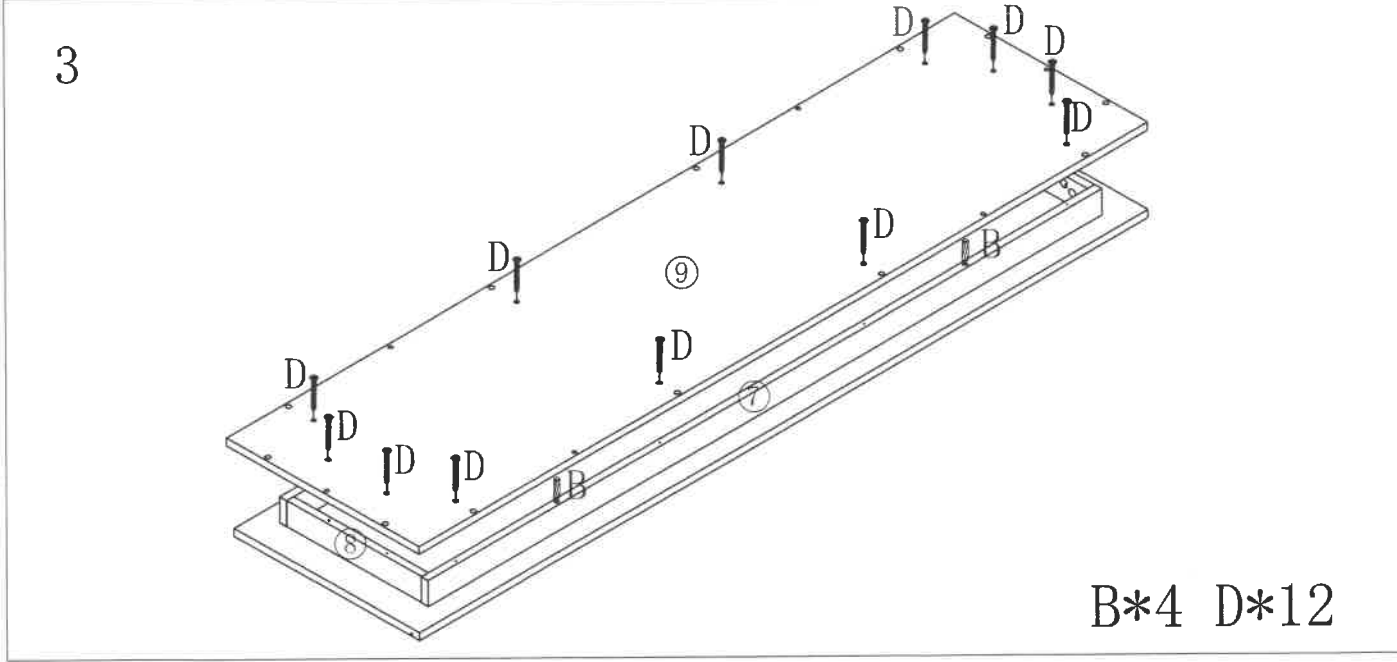
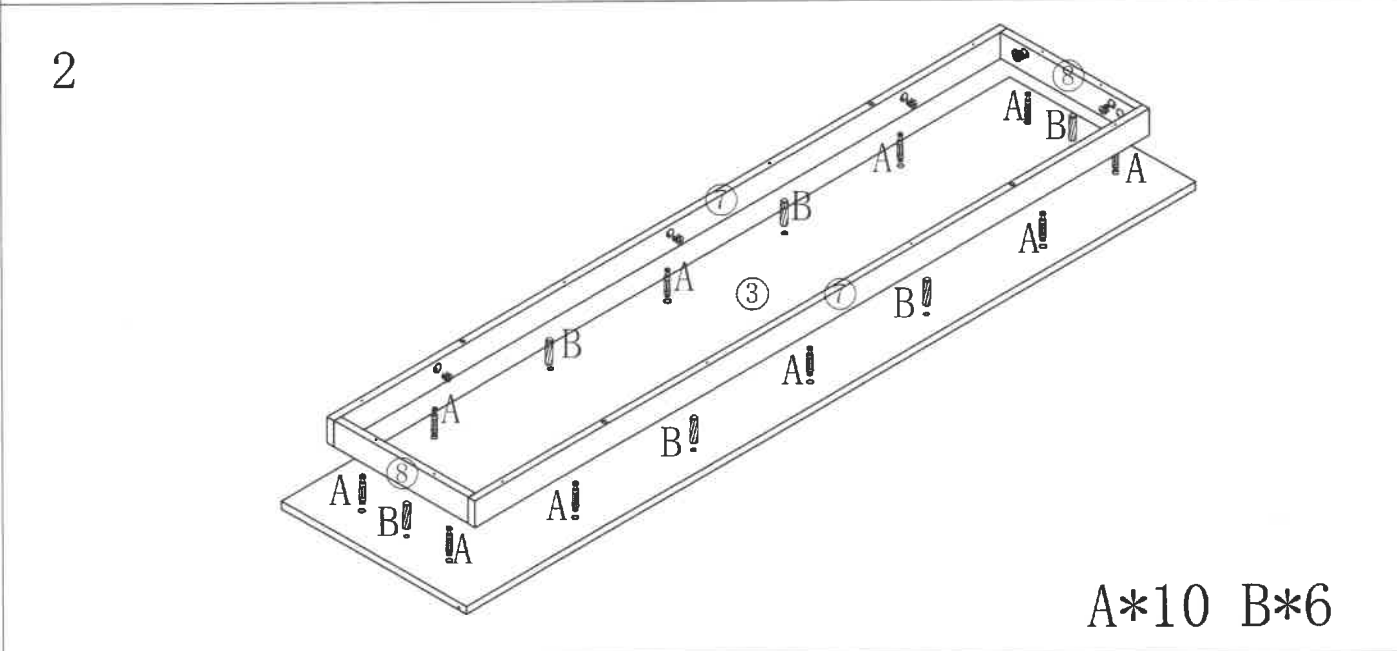
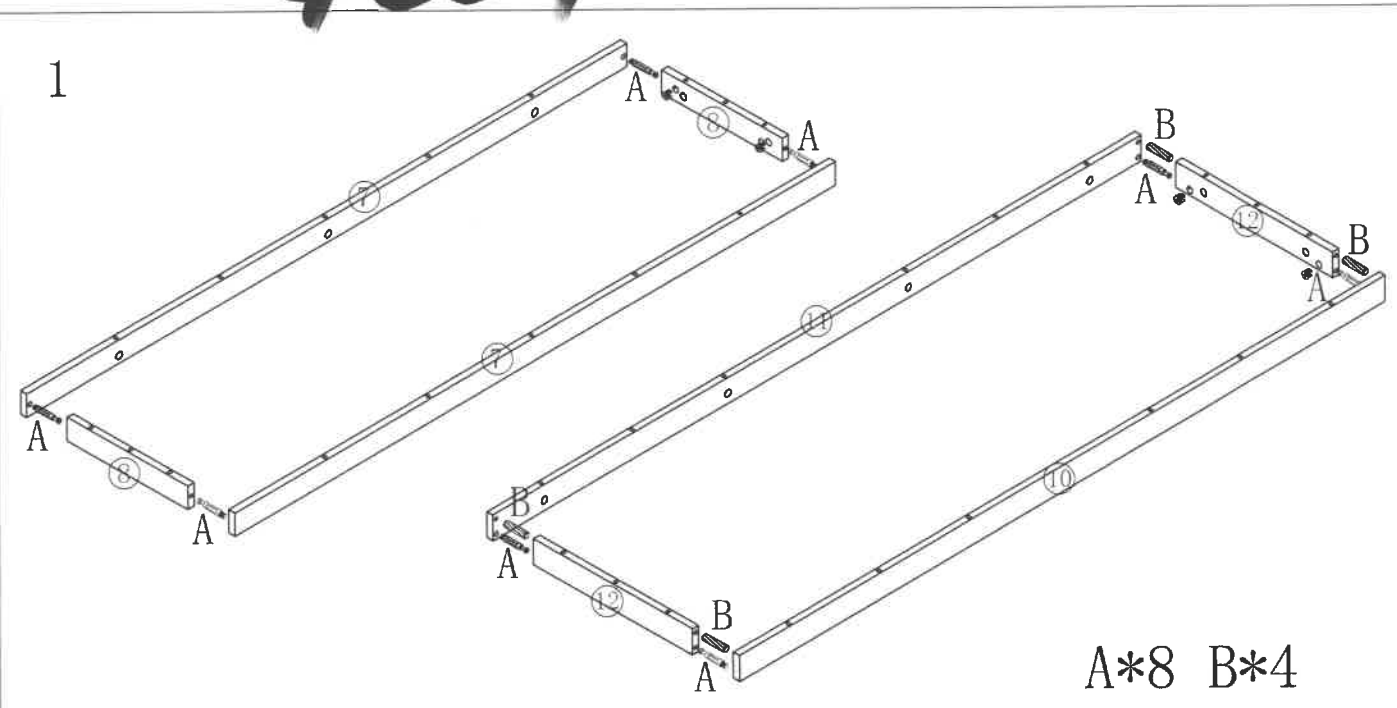
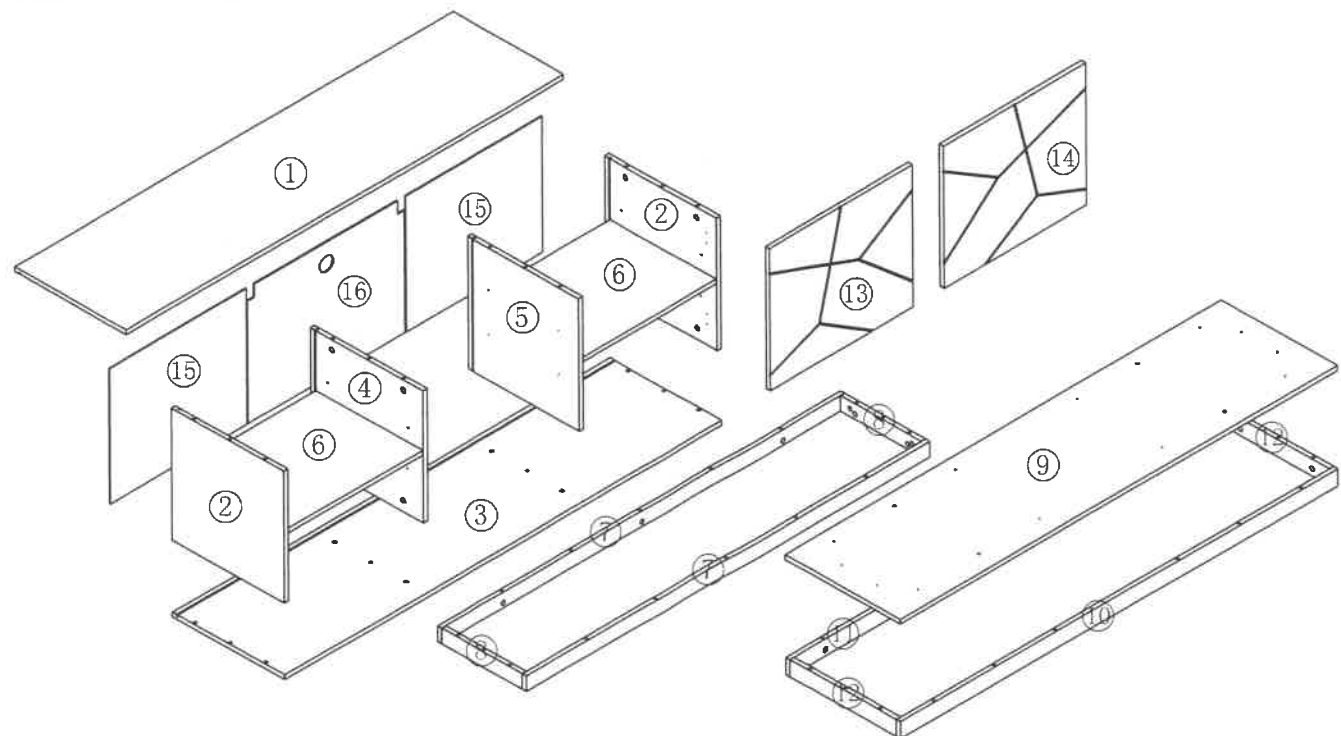
4809



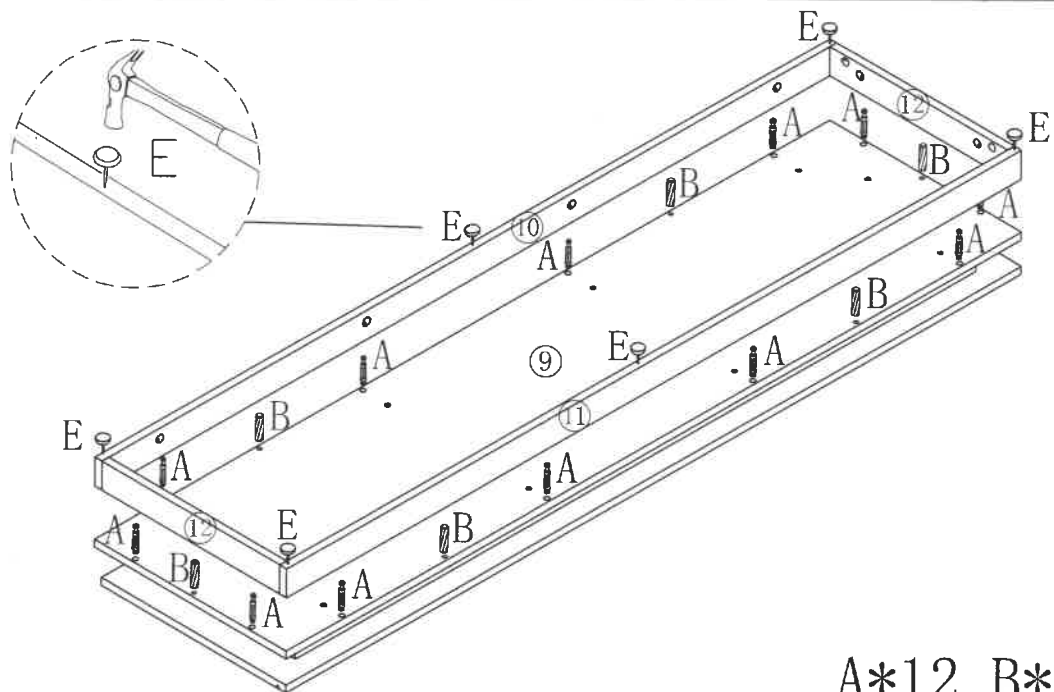
Today's Furniture



A		46	B		28	C		40	D		12
E		6	F		4	G		8	H		8
I		8	J		1						

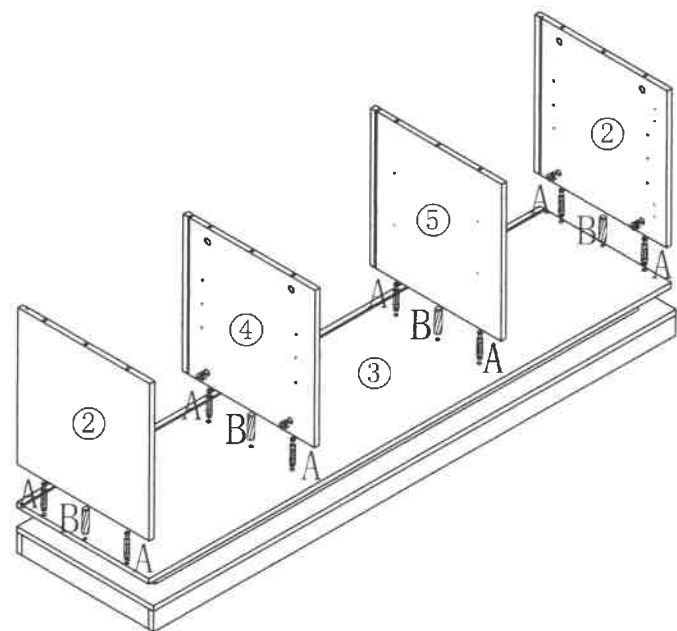


4



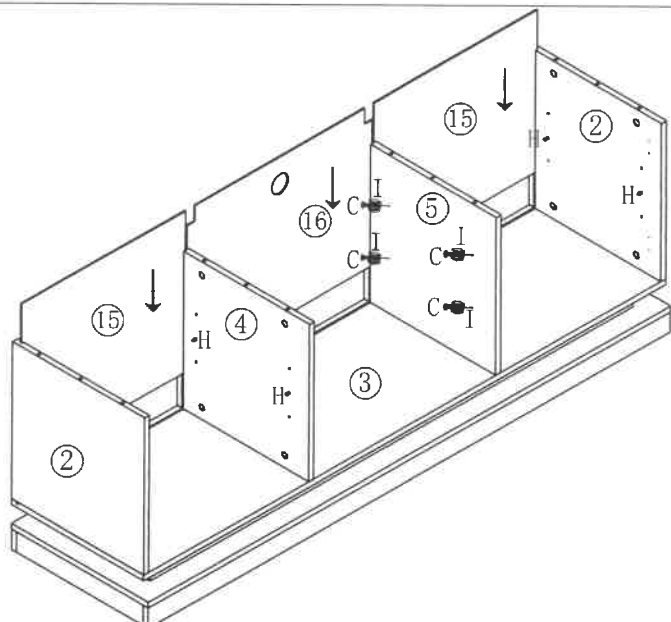
A*12 B*6 E*6

5



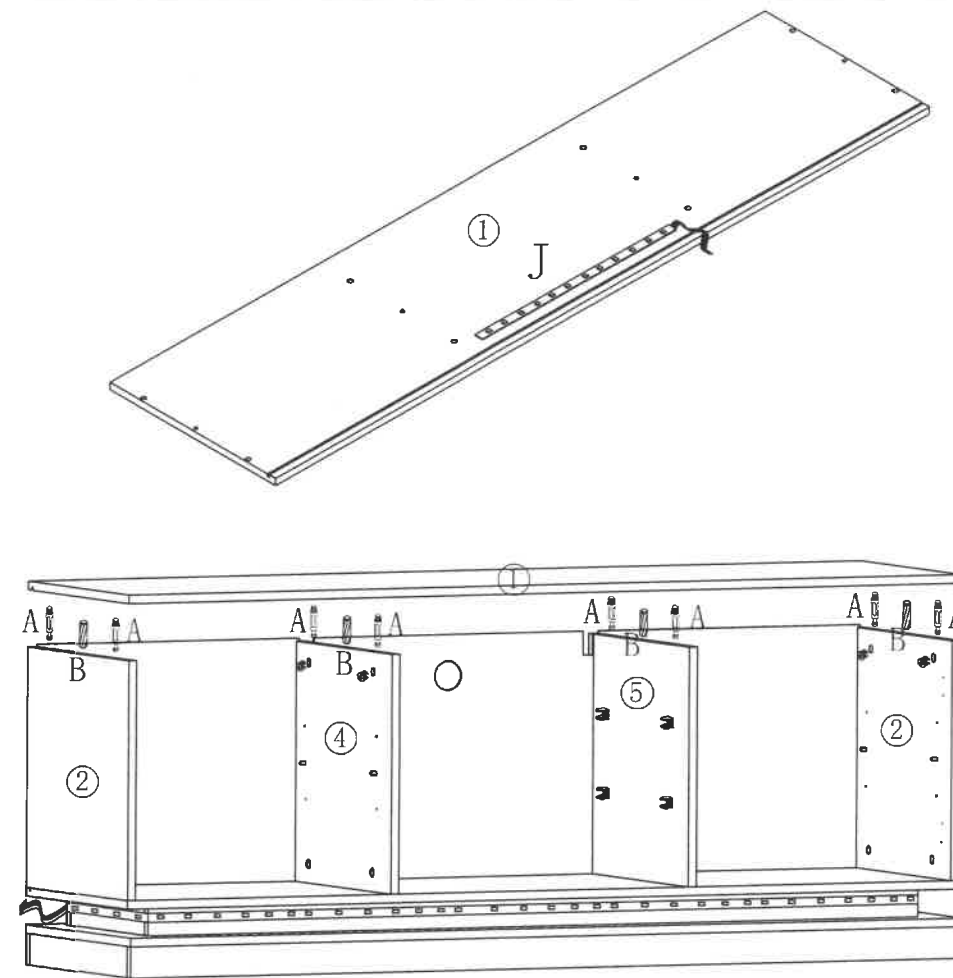
A*8 B*4

6



C*8 I*8 H*8

7



A*8 B*4 J*1

8

