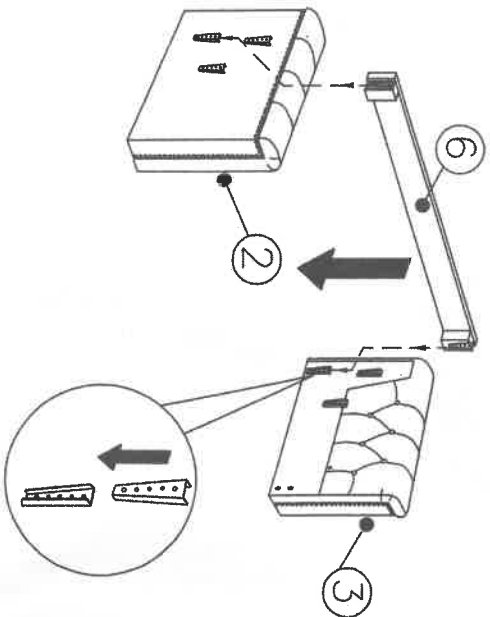
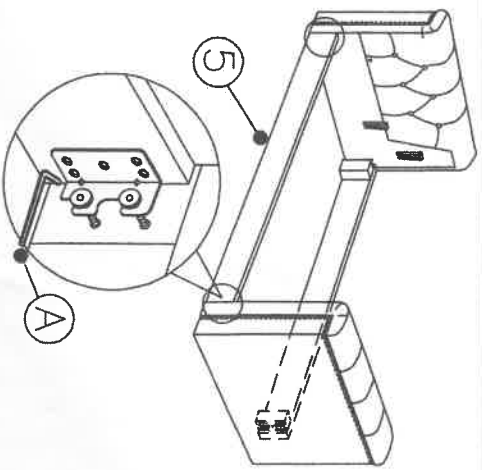


STEP 1.



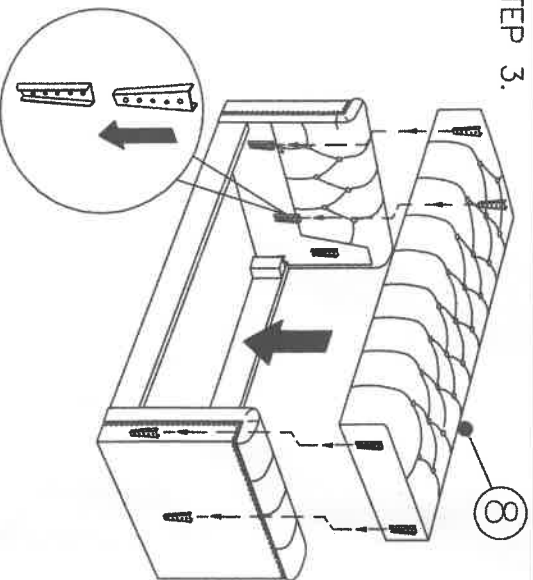
Hook on the Back Rail (6) into Left Arm (2) and Right (3) securely.

STEP 2.



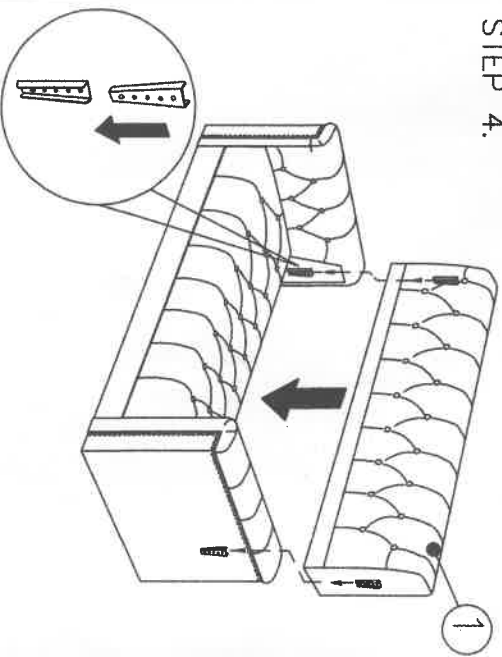
Slightly loosen the four bolts using Allen Key (A) without removing the bolts completely from both Side Arms (2 and 3). Hook on Front Rail (5) hooks into loosen bolts, once placed tighten and secure all four bolts with Allen Key (A).

STEP 3.



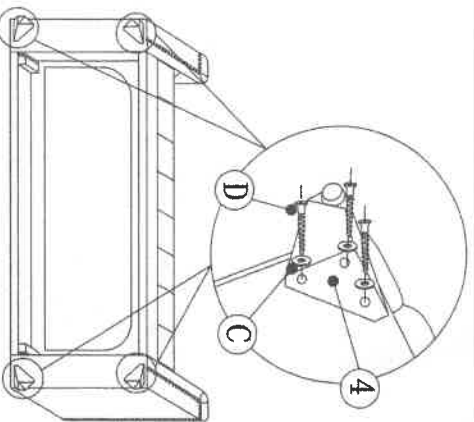
Hook on the Seat Base (8) into Left Arm (2) and Right (3) securely.

STEP 4.



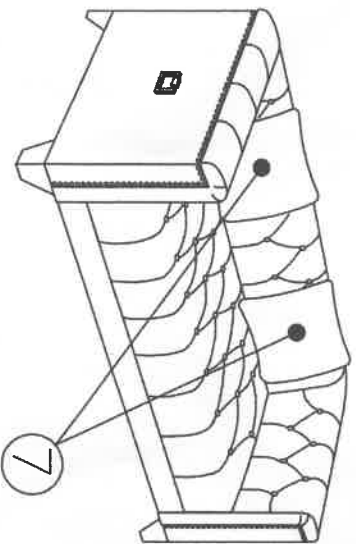
Hook on the Back Rest (1) into Left Arm (2) and Right (3) securely.

STEP 5.



Closed the cloth cover. Attach LEGS (4) to the four corners of the unit. Legs are to be attached using Screw (D), Washer (C). Make sure the screws are fully tightened and secure.

STEP 6.



Lay Pillows (7) (2pcs).