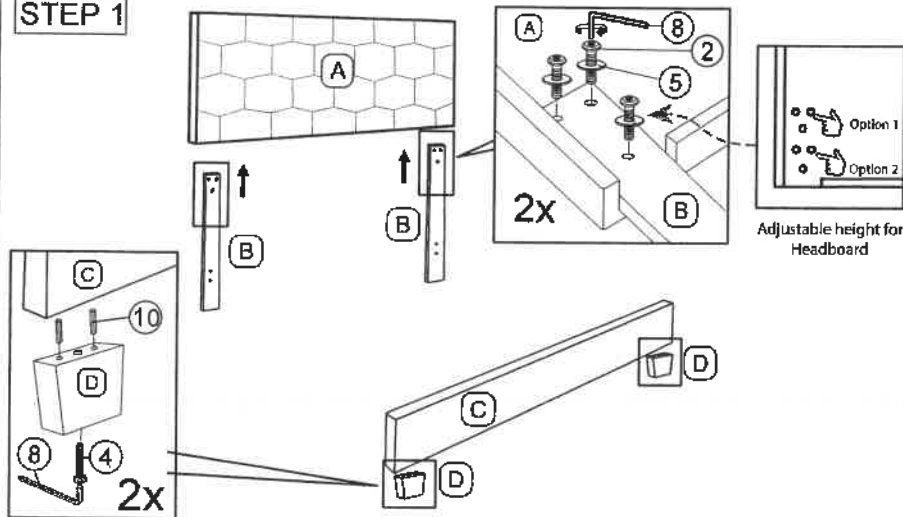
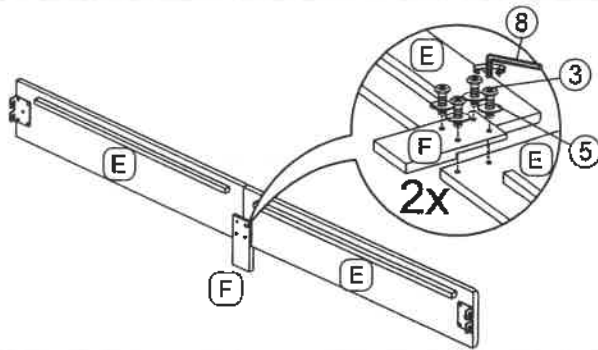


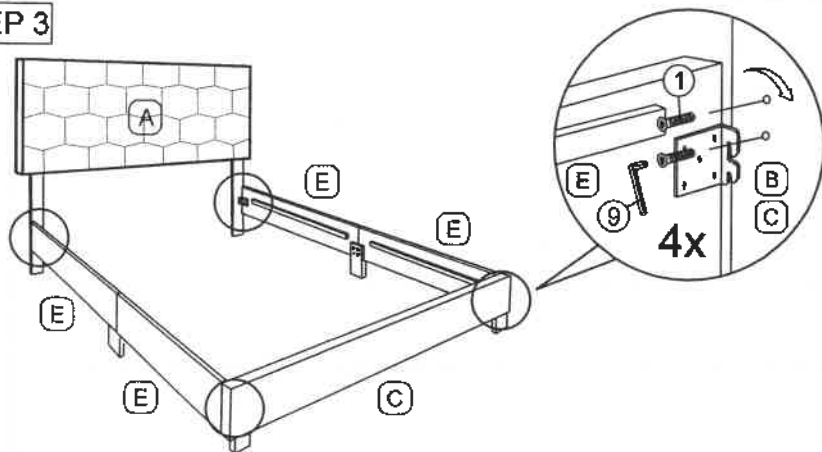
STEP 1



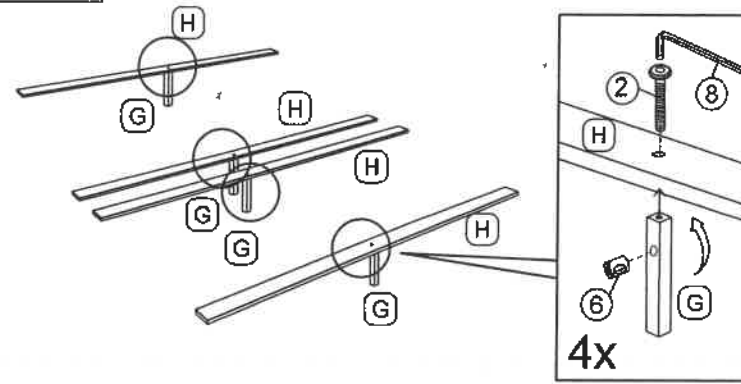
STEP 2



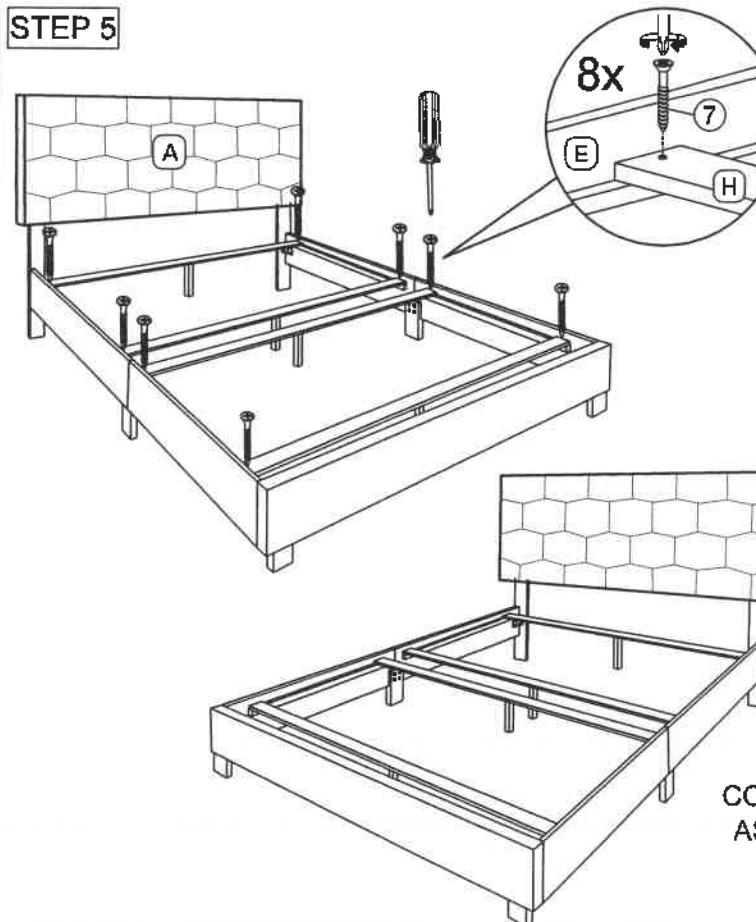
STEP 3



STEP 4



STEP 5



NO	PART LIST	QTY
A	Headboard	1 pc
B	Headboard Leg	2 pcs
C	Footboard	1 pc
D	Footboard Leg	2 pcs
E	Side Rail	4 pcs
F	Siderail Support Leg	2 pcs
G	Center Support Leg	4 pcs
H	Bed Slat	4 pcs

NO	HARDWARE LIST	QTY
1	JCBB M8 x 20mm	8 pcs
2	JCBC M6 x 50mm	10 pcs
3	JCBC M6 x 25mm	8 pcs
4	JCBC M6 x 70mm	2 pcs
5	Flat Washer M6	14 pcs
6	Barrel Nut M6	4 pcs
7	CSK M4 x 30mm	8 pcs
8	Allen Key M4	1 pc
9	Allen Key M5	1 pc
10	Dowel	4 pcs

Read this instruction carefully. Remove all wrapping material, staples and straps from the carton. See hardware and furniture part list for guidance. Be sure you have all wooden furniture parts on a clean and flat soft surface, such as a carpet or rug, to prevent from being scratched.

- CAUTION:**
- Do not FULLY - TIGHTEN the nut or screw until all is ready to assemble.
 - Do not OVER - TIGHTEN the nut or screw to avoid causing damages to the thread.
 - Keep all hardware part out reach of children.



COMPLETED ASSEMBLY